

DE LA FONTAINE

IN SWING SINGLE FLUSH STEEL DOOR (HVHZ)(IMPACT)



4115 BRODEUR STREET
SHERBROOKE, QC J1L1K4
PH: (819) 821-9230 FX: (819) 569-5928

GENERAL NOTES:

- THE PRODUCT SHOWN HEREIN IS DESIGNED AND MANUFACTURED TO COMPLY WITH THE CURRENT EDITION FLORIDA BUILDING CODE (FBC), INCLUDING HVHZ AND HAS BEEN EVALUATED ACCORDING TO THE FOLLOWING:
 - TAS 201-94
 - TAS 202-94
 - TAS 203-94
 - ASTM E283-04(12)
 - ASTM E330-14(21)
 - ASTM E1886-19
 - ASTM E1996-17
- ADEQUACY OF THE EXISTING STRUCTURAL CONCRETE/MASONRY AND 2X FRAMING AS A MAIN WIND FORCE RESISTING SYSTEM CAPABLE OF WITHSTANDING AND TRANSFERRING APPLIED PRODUCT LOADS TO THE FOUNDATION IS THE RESPONSIBILITY OF THE ENGINEER OR ARCHITECT OF RECORD FOR THE PROJECT OF INSTALLATION.
- 1X AND 2X BUCKS (WHEN USED) SHALL BE DESIGNED AND ANCHORED TO PROPERLY TRANSFER ALL LOADS TO THE STRUCTURE. BUCK DESIGN AND ANCHOR LAYOUT IS THE RESPONSIBILITY OF THE ENGINEER OR ARCHITECT OF RECORD FOR THE PROJECT OF INSTALLATION.
- THE INSTALLATION DETAILS DESCRIBED HEREIN ARE GENERIC AND MAY NOT REFLECT ACTUAL CONDITIONS FOR A SPECIFIC SITE. IF SITE CONDITIONS CAUSE INSTALLATION TO DEVIATE FROM THE REQUIREMENTS DETAILED HEREIN, A LICENSED ENGINEER OR ARCHITECT SHALL PREPARE SITE SPECIFIC DOCUMENTS FOR USE WITH THIS DOCUMENT.
- THIS PRODUCT IS LARGE AND SMALL MISSILE IMPACT RESISTANT APPROVED IMPACT PROTECTIVE SYSTEM IS **NOT REQUIRED** ON THIS PRODUCT IN AREAS REQUIRING IMPACT RESISTANCE.

CONSTRUCTION NOTES:

- DOOR CONSTRUCTION:
 - PANEL MATERIAL: 18 GA. A40/A60/G90 GALV. STEEL MIN. (0.042" MIN.)
 - OVERALL PANEL THICKNESS: MIN. 1 3/4 INCH TO MAX. 2 1/4 INCH
 - DOOR CORES:
 - HONEYCOMB
 - POLYSTYRENE
 - POLYURETHANE
 - STEEL STIFFENED (POLYSTYRENE OR POLYURETHANE)
 - EDGE SEAMS:
 - STANDARD LOCK WELDED AT THE TOP AND BOTTOM.
 - STANDARD LOCK WITH EPOXY FILLED AND GRINDED SMOOTH SEAM
 - CONTINUOUS WELD LOCK SEAM
 - TWO (2) TOP AND ONE (1) BOTTOM CHANNELS ARE 16 GA. STEEL AND ARE SPOT WELDED TO EACH FACE SHEET 3" O.C.
 - HINGES:
 - HAGER BB1191
 - HAGER BB1168
 - HAGER BB1199
 - HAGER BB1279
 - HAGER 780-112 ROTON
 - HINGE REINFORCEMENTS ARE LOCATED AT EACH HINGE LOCATION.
 - LOCK REINFORCEMENTS ARE USED WHEN APPLICABLE.
- FRAME CONSTRUCTION:
 - FRAME MATERIAL: 16 GA. A40/A60/G90 GALV. STEEL MIN. (0.054" MIN.)
 - FRAME DEPTH: 5.75" MIN. (DOUBLE RETURNS QUALIFIED)
 - CORNER CONSTRUCTION:
 - KNOCK-DOWN
 - FACE WELD
 - FULL WELD
 - HINGE REINFORCEMENT IS LOCATED AT EACH HINGE LOCATION.
 - LOCK STRIKE REINFORCEMENTS ARE USED WHEN APPLICABLE.

TABLE OF CONTENTS	
SHEET	SHEET DESCRIPTION
1	GENERAL & CONSTRUCTION NOTES
2	PANEL CONFIGURATIONS
3	ELEVATIONS
4	ANCHOR LAYOUTS & NOTES
5	VERTICAL SECTIONS
6	HORIZONTAL SECTIONS
7	INSTALLATION DETAILS - COMBINATION AND Z ANCHORS
8	INSTALLATION DETAILS - EWA ANCHORS
9	INSTALLATION DETAILS - WIRE/T MASONRY & JAMB BASE ANCHORS
10	INSTALLATION DETAILS & NOTES
11	GASKETING DETAILS FOR AIR INFILTRATION
12	THRESHOLD DETAIL & ANCHOR LAYOUT
13	CORNER CONSTRUCTION
14	REINFORCEMENTS
15	REINFORCEMENTS
16	BILL OF MATERIAL

FLORIDA BUILDING CODE DESIGN PRESSURES					
CONFIGURATION	LATCHING HARDWARE TYPE	LATCHING HARDWARE SERIES	*WHERE WATER INFILTRATION IS NOT REQUIRED OR IS PROTECTED BY OVERHANG	WHERE WATER INFILTRATION REQUIREMENT IS NEEDED OR IS NOT PROTECTED BY OVERHANG	MISSILE IMPACT RATING
SINGLE	CYLINDRICAL LOCKSET	SCHLAGE D/ND	+/- 70 PSF	-	LARGE AND SMALL MISSILE IMPACT RATED
		SARGENT 11	+/- 70 PSF		
	MORTISE LOCKSET WITH DEADBOLT	SCHLAGE L9000	+/- 70 PSF		
		SARGENT 8200	+/- 70 PSF		

*NOTE: UNIT SHALL BE INSTALLED IN NON-HABITABLE LOCATIONS OR AT LOCATION PROTECTED BY OVERHANG SUCH THAT OVERHANG RATIO (OH) = OH LENGTH /OH HEIGHT GREATER THAN 1.

TITLE: IN SWING SINGLE FLUSH STEEL DOOR (HVHZ) (IMPACT)

GENERAL & CONSTRUCTION NOTES

PREPARED BY: BUILDING DROPS, INC.
1900 NE MIAMI COURT, STE. 2-15
MIAMI, FL 33132
PH: (954)399-8478
FAX: (954)744-4738
WEB: www.buildingdrops.com

REMARKS	BY	DATE

THE INSTALLATION DETAILS DESCRIBED HEREIN ARE GENERIC AND MAY NOT REFLECT ACTUAL CONDITIONS FOR A SPECIFIC SITE. IF SITE CONDITIONS CAUSE INSTALLATION TO DEVIATE FROM THE REQUIREMENTS DETAILED HEREIN, A LICENSED ENGINEER OR ARCHITECT SHALL PREPARE SITE SPECIFIC DOCUMENTS FOR USE WITH THIS DOCUMENT.

HERMES F. NORERO, P.E.
FLORIDA PROFESSIONAL ENGINEER
BUILDING DROPS, INC.
1900 NE MIAMI COURT # 2-15
MIAMI, FL 33132
FBPE CERT. OF AUTHORIZATION No. 29578

FL46851

DATE: **06.18.24**

DWG. BY: **DI** CHK. BY: **HFN**

SCALE: **NTS**

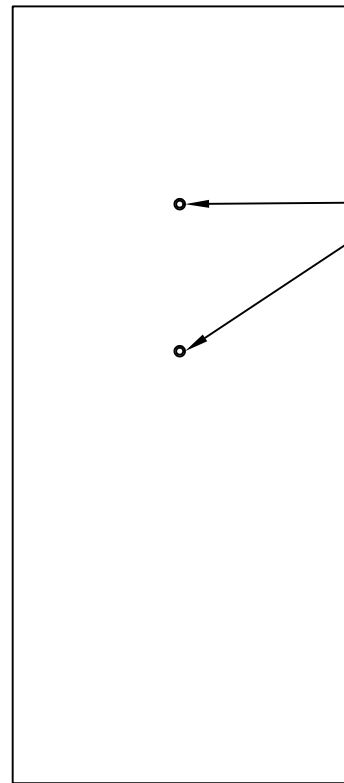
DWG. #: **DLF006**

SHEET:

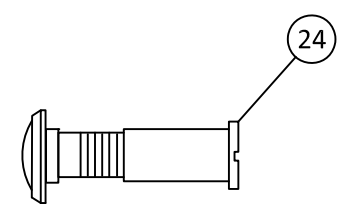
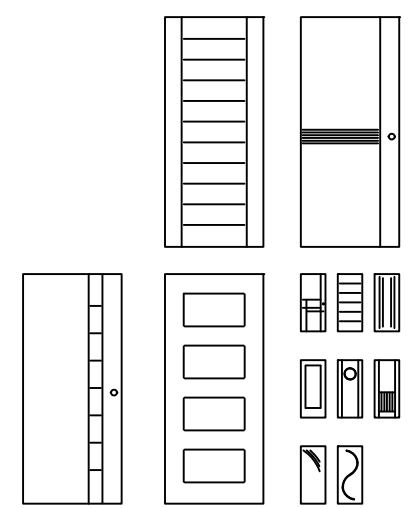
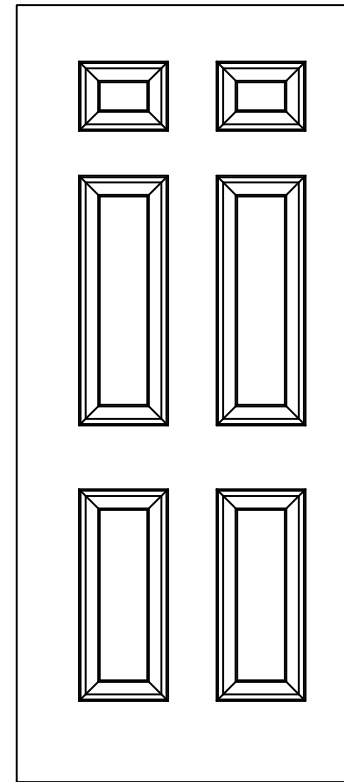
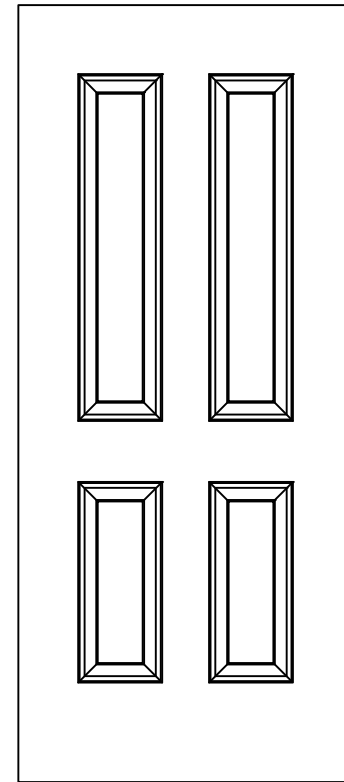
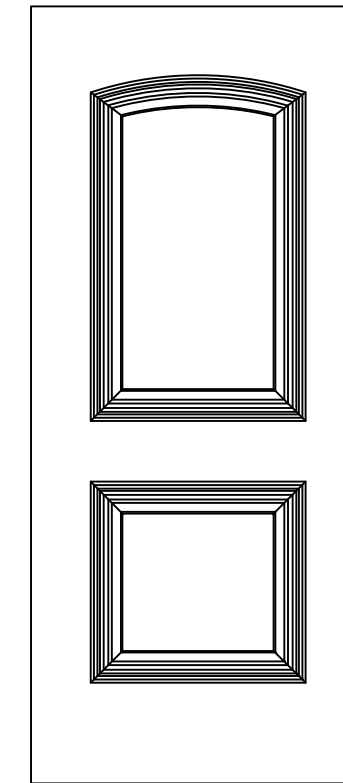
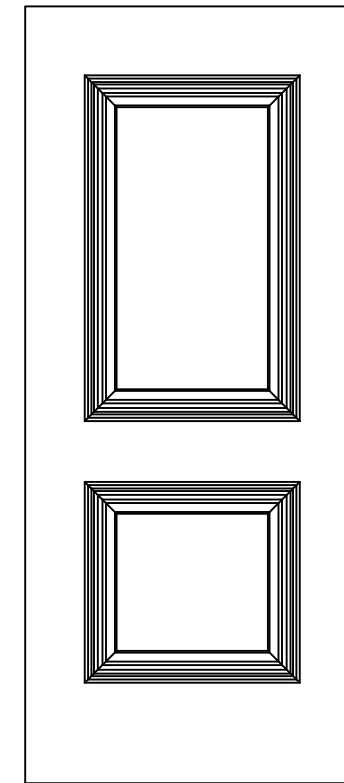
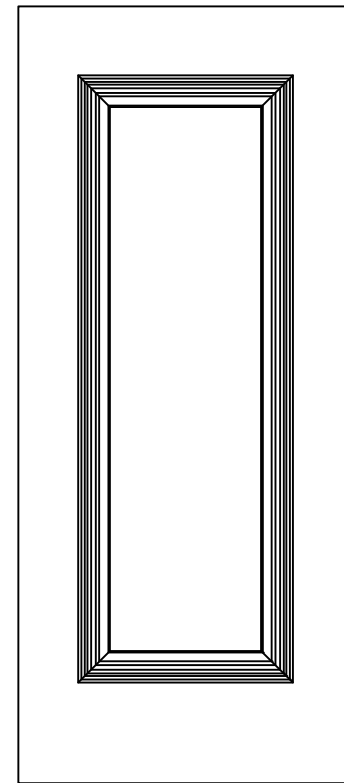
1

OF 16

c:\users\dylanwata\building_drops, inc\building_drops, inc\projects\de la fontaine\fbc-22-0614.1 - fbc submittal - hollow metal swing door is-cs\dwg\inswing flush.dif006.dwg 6/21/2024 4:06 PM



OPTIONAL VIEWERS
SEE DETAIL XX
MAX. 2 PER DOOR
MAX. 70 PSF



DETAIL RR
IVES 698/U698 DOOR VIEWER

AVAILABLE DOOR PANEL CONFIGURATIONS

**NOTE: CUSTOM EMBOSING AVAILABLE.
CONTACT MANUFACTURER FOR MORE INFORMATION.**



4115 BRODEUR STREET
SHERBROOKE, QC J1L1K4
PH: (819) 821-9230 FX: (819) 569-5928

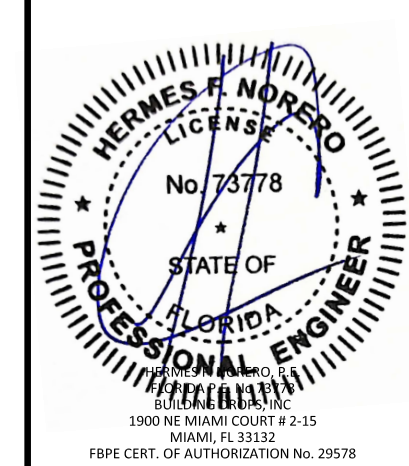
TITLE: INSWING SINGLE FLUSH
STEEL DOOR
(HVHZ) (IMPACT)
PANEL CONFIGURATIONS

PREPARED BY:
BUILDING DROPS, INC.
1900 NE MIAMI COURT, STE. 2-15
MIAMI, FL 33132
PH: (954)399-8478
FAX: (954)744-4738
WEB: www.buildingdrops.com



REMARKS	BY	DATE

THE INSTALLATION DETAILS DESCRIBED HEREIN ARE GENERIC AND MAY NOT REFLECT ACTUAL CONDITIONS FOR A SPECIFIC SITE. IF SITE CONDITIONS CAUSE INSTALLATION TO DEVIATE FROM THE REQUIREMENTS DETAILED HEREIN, A LICENSED ENGINEER OR ARCHITECT SHALL PREPARE SITE SPECIFIC DOCUMENTS FOR USE WITH THIS DOCUMENT.



FL46851

DATE: **06.18.24**

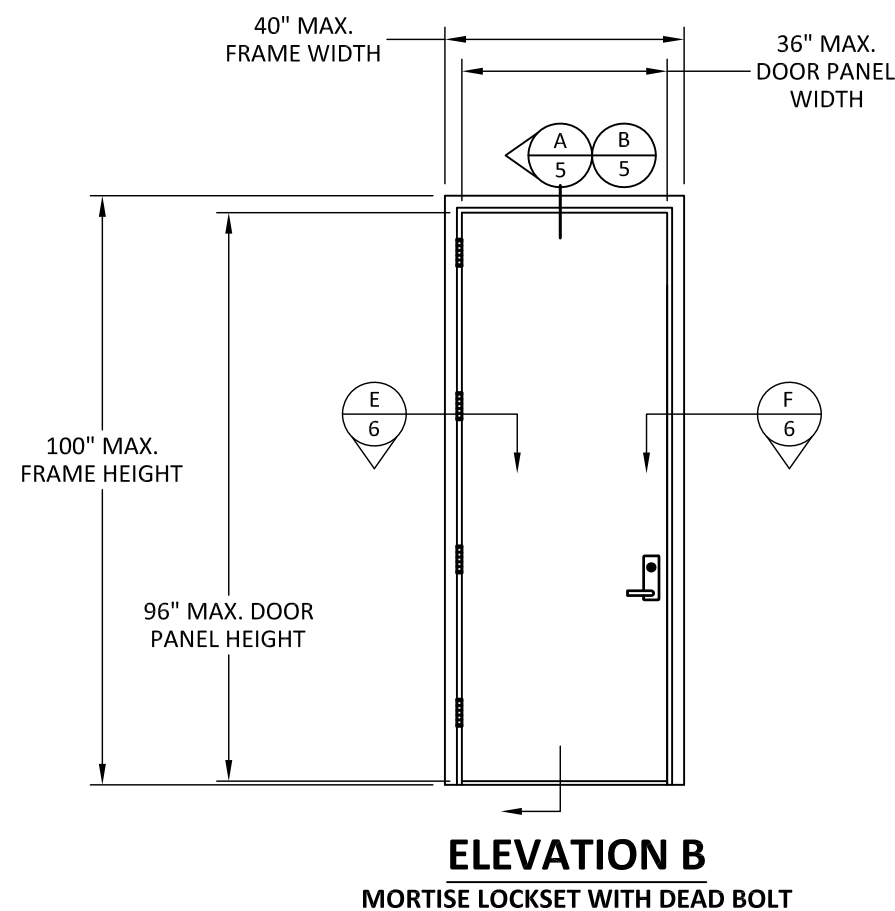
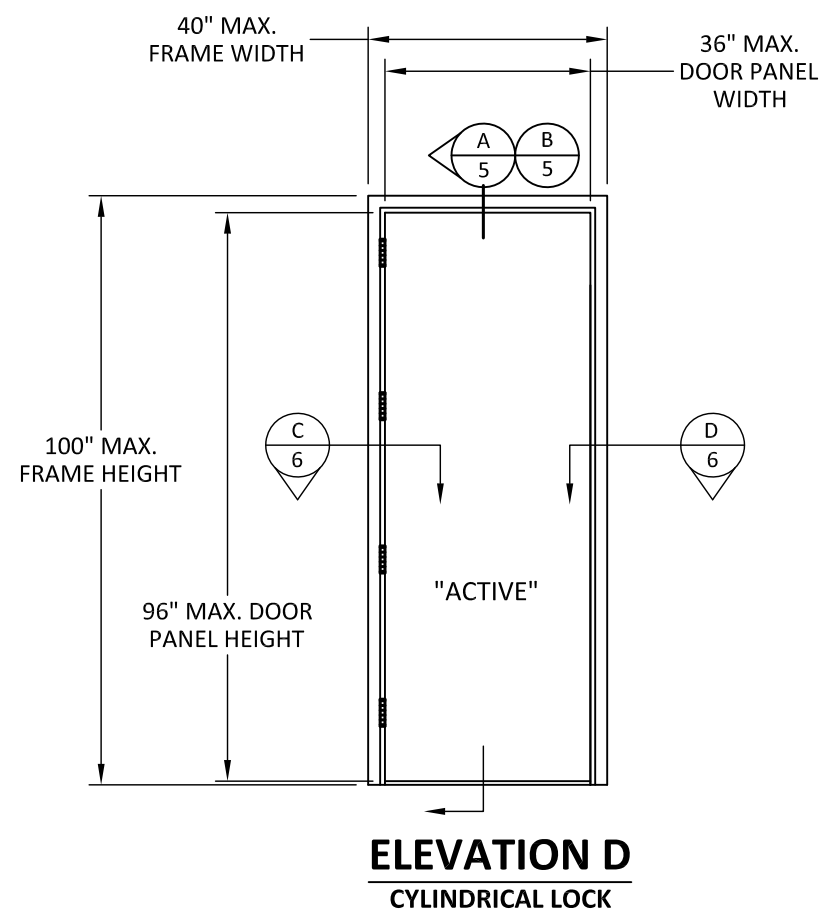
DWG. BY: **DI** CHK. BY: **HFN**

SCALE: **NTS**

DWG. #: **DLF006**

SHEET:
2
OF 16

c:\users\dylanwata\building_drops, inc\building_drops landing - common\projects\de la fontaine\fbc-22-0614.1 - fbc submittal - hollow metal swing door (s-cs)\dwg\inswing flush.dif006.dwg 6/21/2024 4:06 PM



NOTE: MAXIMUM FRAME HEIGHT TO BE 100" WHEN OPTIONAL 4" HEADER FRAME IS USED. USE WITH FULLY WELDED OR FACE WELDED CORNERS ONLY.

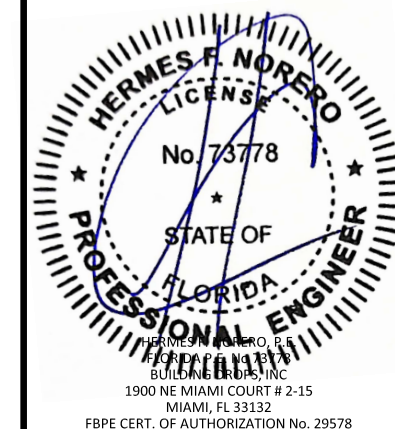
TITLE: INSWING SINGLE FLUSH STEEL DOOR (HVHZ) (IMPACT) ELEVATIONS

PREPARED BY: **BUILDING DROPS, INC.**
1900 NE MIAMI COURT, STE. 2-15
MIAMI, FL 33132
PH: (954) 359-8478
FAX: (954) 744-4738
WEB: www.buildingdrops.com



REMARKS	BY	DATE

THE INSTALLATION DETAILS DESCRIBED HEREIN ARE GENERIC AND MAY NOT REFLECT ACTUAL CONDITIONS FOR A SPECIFIC SITE. IF SITE CONDITIONS CAUSE INSTALLATION TO DEVIATE FROM THE REQUIREMENTS DETAILED HEREIN, A LICENSED ENGINEER OR ARCHITECT SHALL PREPARE SITE SPECIFIC DOCUMENTS FOR USE WITH THIS DOCUMENT.

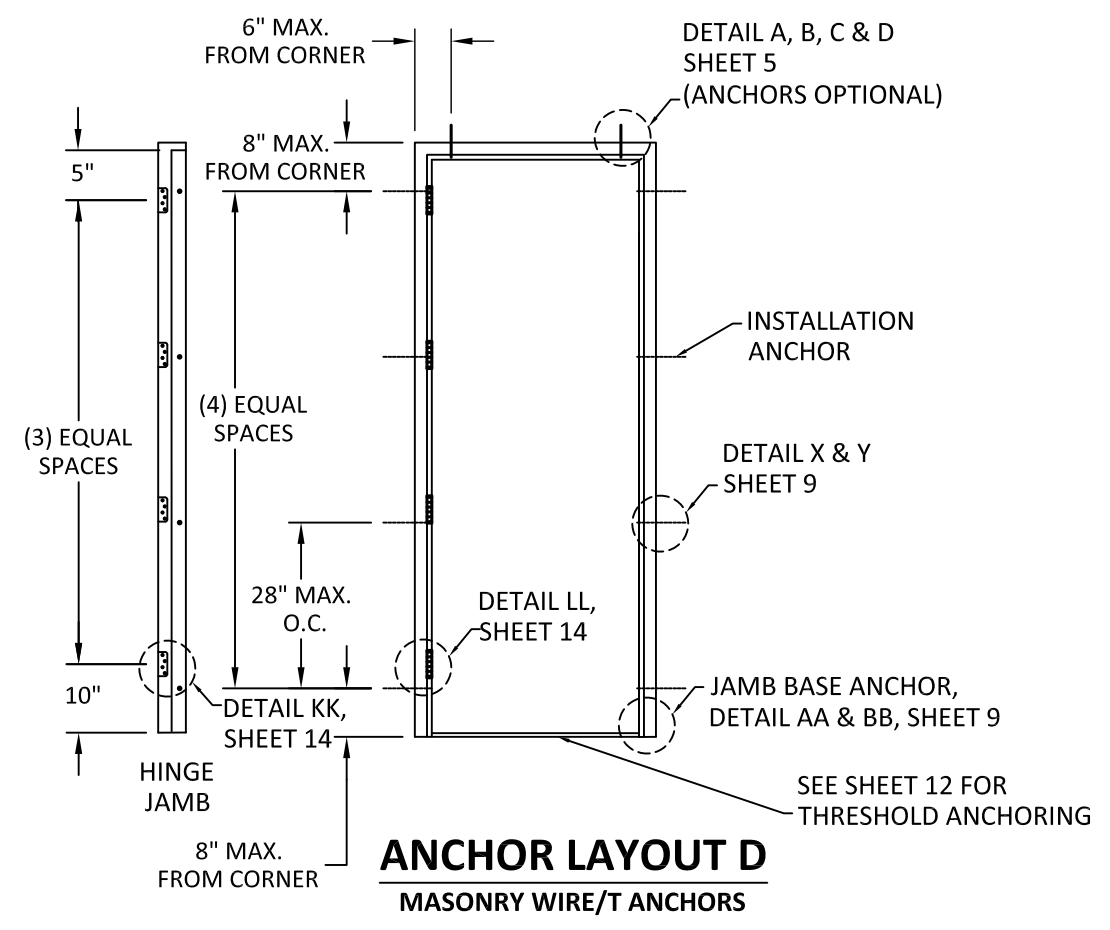
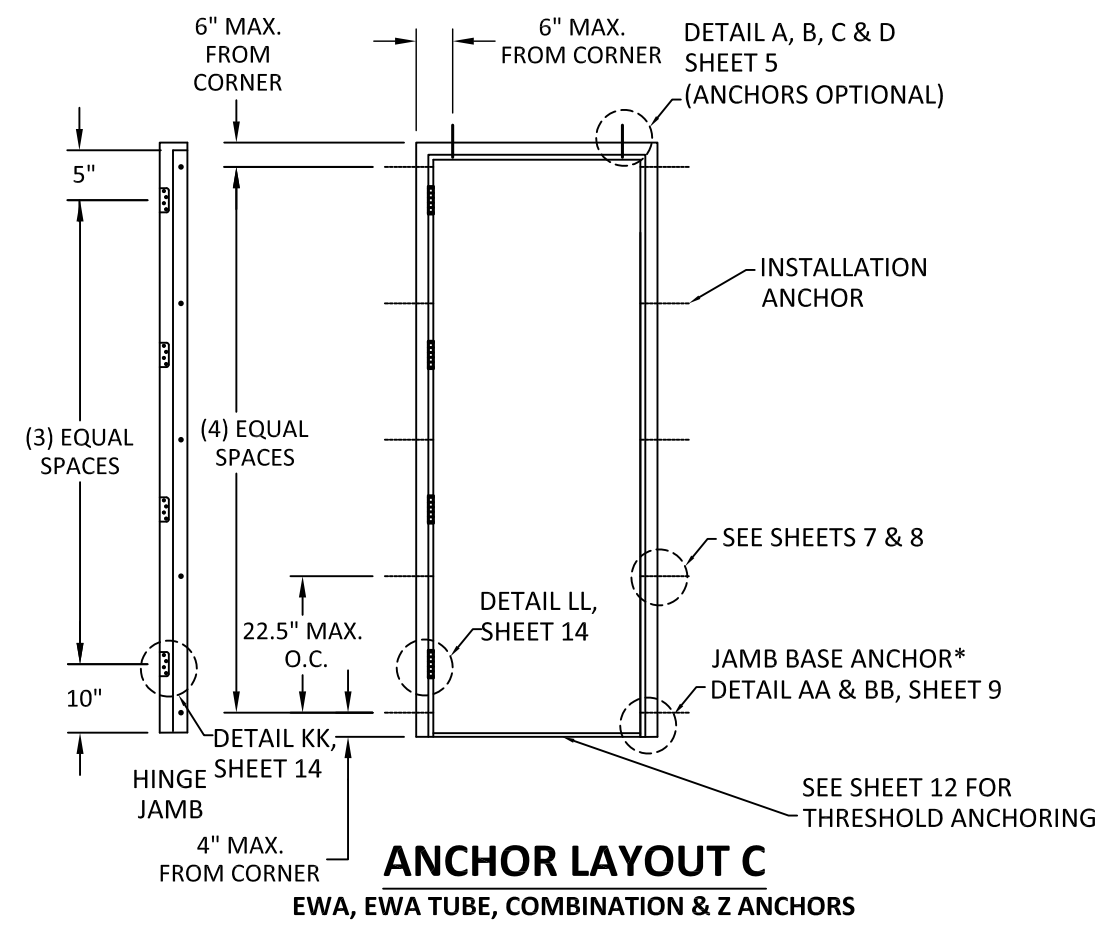


FL46851

DATE:	06.18.24
DWG. BY:	DI
CHK. BY:	HFN
SCALE:	NTS
DWG. #:	DLF006

SHEET:
3
OF 16

c:\users\dylanwata\building_drops, inc\building_drops_landing - common\projects\de la fontaine\bc-22-0614.1 - fbc submittal - hollow metal swing door (inswing flush).dwg.dif006.dwg
6/21/2024 4:06 PM



NOTES:
* JAMB BASE ANCHOR IS ONLY REQUIRED FOR MASONRY WIRE/T, COMBINATION & Z ANCHORS. NOT REQUIRED FOR EWA ANCHORS

TITLE: INSWING SINGLE FLUSH STEEL DOOR (HVHZ) (IMPACT)
ANCHOR LAYOUTS AND NOTES

PREPARED BY: **BUILDING DROPS, INC.**
1900 NE MIAMI COURT, STE. 2-15
MIAMI, FL 33132
PH: (954) 359-8478
FAX: (954) 744-4738
WEB: www.buildingdrops.com

REMARKS	BY	DATE

THE INSTALLATION DETAILS DESCRIBED HEREIN ARE GENERIC AND MAY NOT REFLECT ACTUAL CONDITIONS FOR A SPECIFIC SITE. IF SITE CONDITIONS CAUSE INSTALLATION TO DEVIATE FROM THE REQUIREMENTS DETAILED HEREIN, A LICENSED ENGINEER OR ARCHITECT SHALL PREPARE SITE SPECIFIC DOCUMENTS FOR USE WITH THIS DOCUMENT.

HERMES F. NORERO
LICENSE
No. 73778
STATE OF FLORIDA
PROFESSIONAL ENGINEER

HERMES F. NORERO, P.E.
BUILDING DROPS, INC.
1900 NE MIAMI COURT # 2-15
MIAMI, FL 33132
FBPE CERT. OF AUTHORIZATION No. 29578

FL46851

DATE: 06.18.24

DWG. BY: DI CHK. BY: HFN

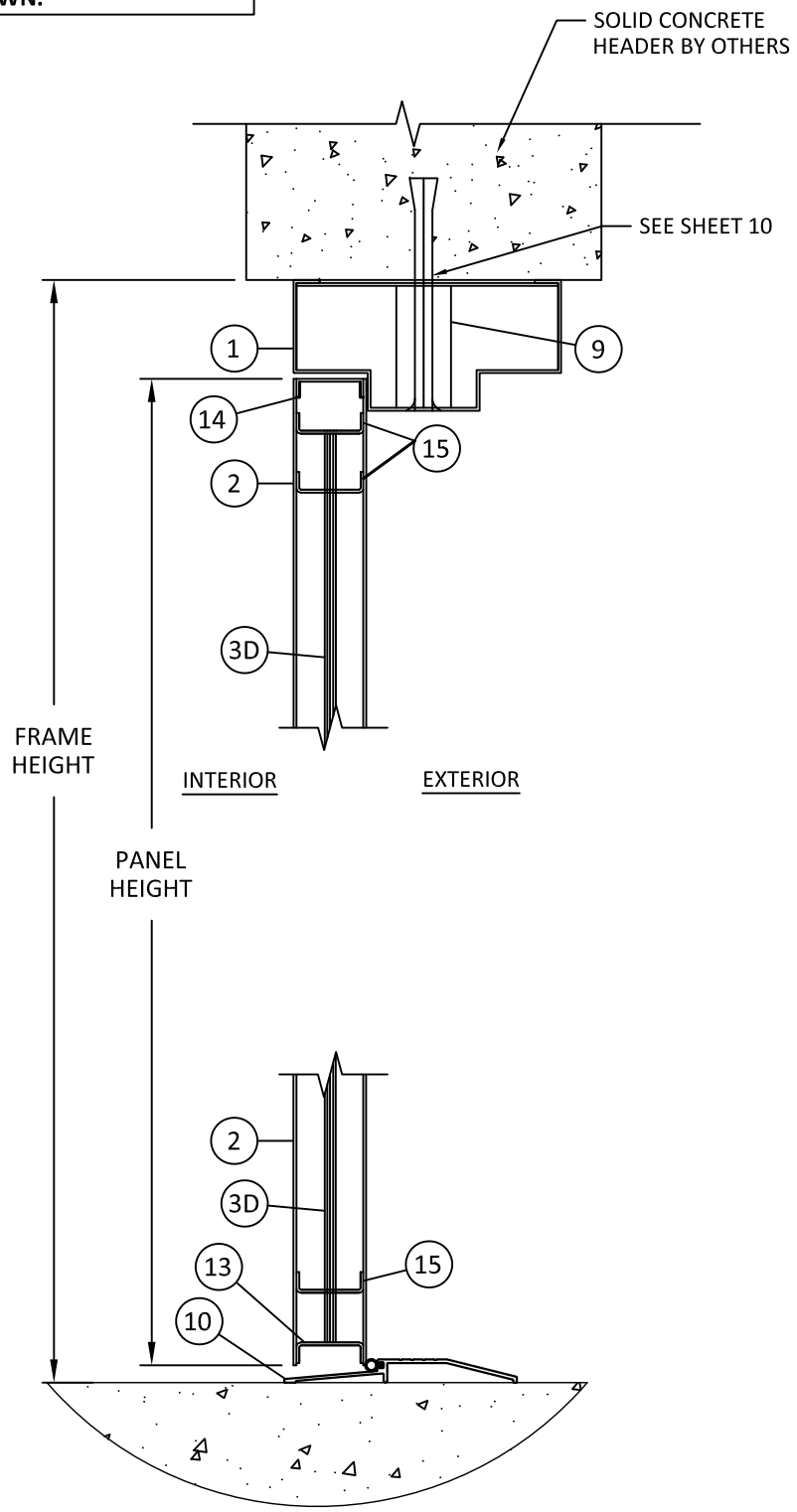
SCALE: NTS

DWG. #: DLF006

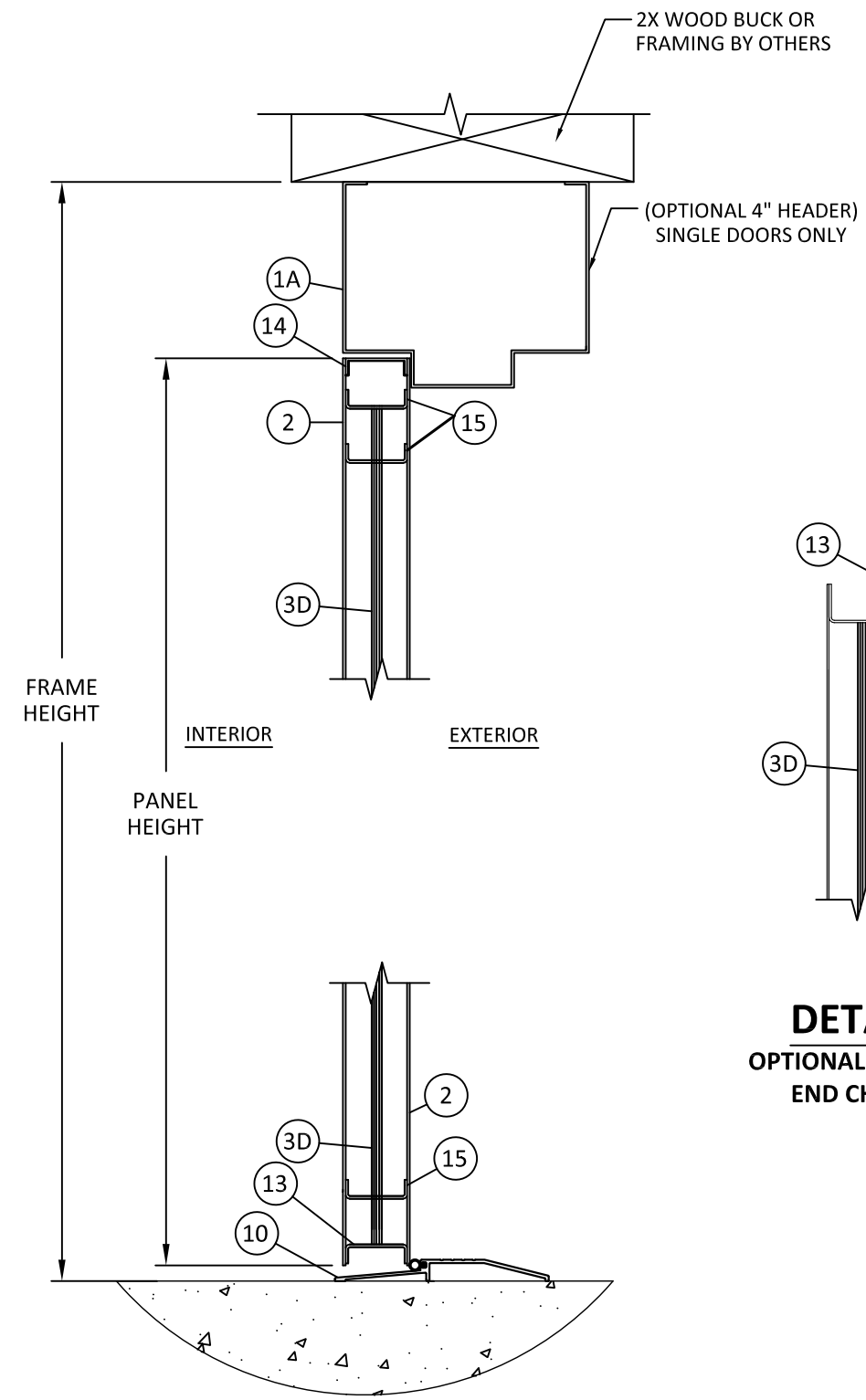
SHEET: 4 OF 16

c:\users\dyanawata\building_drops, inc\building_drops_landing - common\projects\de la fontaine\bc-22-0614.1 - fbc submittal - hollow metal swing door (s-cs)\dwgs\inswing flush.dwg 6/21/2024 4:06 PM

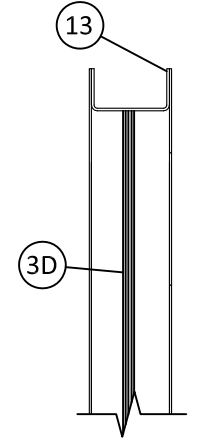
**NOTE: EWA TUBE SHOWN.
EWA IS QUALIFIED FOR ALL
INSTALLATION SUBSTRATES
SHOWN.**



A
5 **VERTICAL SECTION**
HEAD/SILL - CONCRETE/MASONRY
(CYLINDRICAL LOCK OR
MORTISE LOCK WITH DEADBOLT)



B
5 **VERTICAL SECTION**
HEAD - 2X WOOD FRAME
SILL - CONCRETE



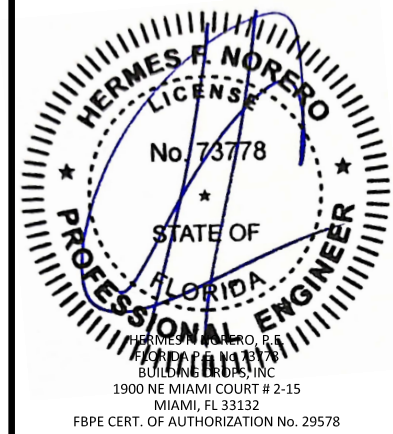
DETAIL Z
OPTIONAL STANDARD
END CHANNEL

TITLE: INSWING SINGLE FLUSH
STEEL DOOR
(HVHZ) (IMPACT)
VERTICAL SECTIONS

PREPARED BY: **BUILDING DROPS, INC.**
1900 NE MIAMI COURT, STE. 2-15
MIAMI, FL 33132
PH: (954) 359-8478
FAX: (954) 744-4738
WEB: www.buildingdrops.com

REMARKS	BY	DATE

THE INSTALLATION DETAILS DESCRIBED HEREIN ARE GENERIC AND MAY NOT REFLECT ACTUAL CONDITIONS FOR A SPECIFIC SITE. IF SITE CONDITIONS CAUSE INSTALLATION TO DEVIATE FROM THE REQUIREMENTS DETAILED HEREIN, A LICENSED ENGINEER OR ARCHITECT SHALL PREPARE SITE SPECIFIC DOCUMENTS FOR USE WITH THIS DOCUMENT.



FL46851

DATE: **06.18.24**

DWG. BY: **DI** CHK. BY: **HFN**

SCALE: **NTS**

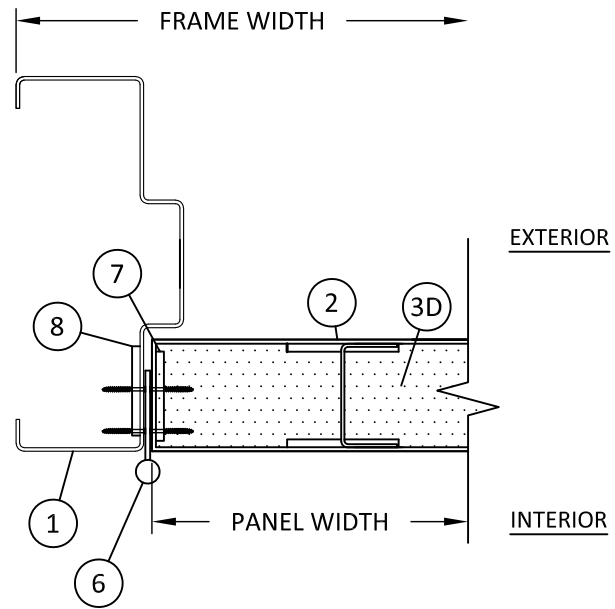
DWG. #: **DLF006**

SHEET:

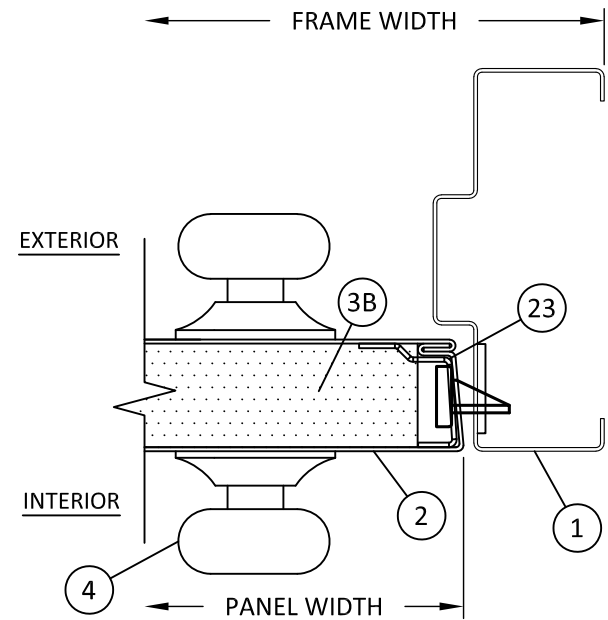
5

OF 16

c:\users\dyanawata\building_drops, inc\building_drops landing - common\projects\de la fontaine\bc-22-0614.1 - fbc submittal - hollow metal swing door (s-cs)\dwg\inswing flush.dif006.dwg 6/21/2024 4:06 PM

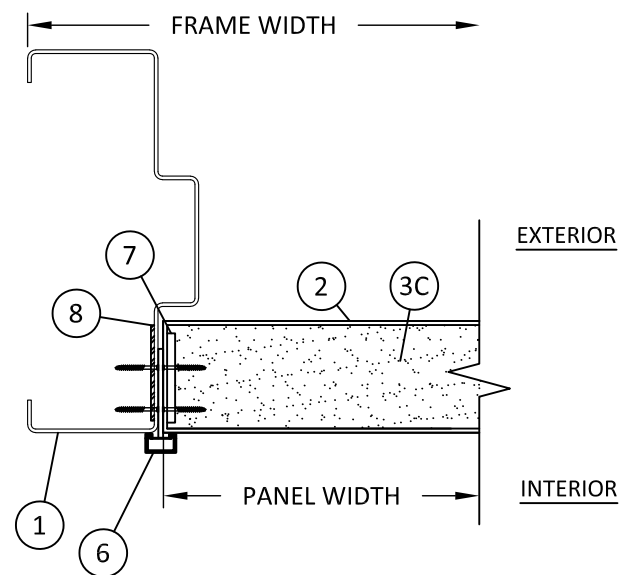


C
6 HORIZONTAL SECTION
BUTT HINGE JAMB

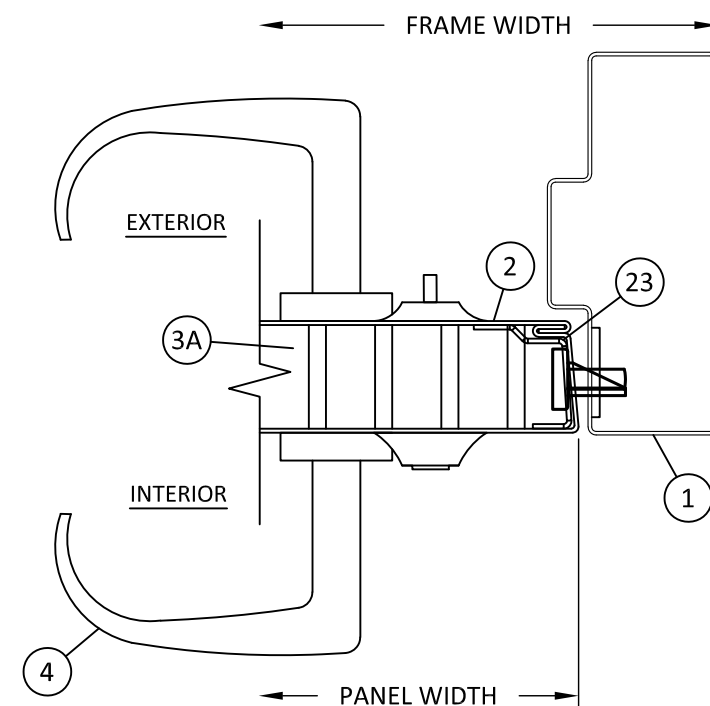


D
6 HORIZONTAL SECTION
CYLINDRICAL LOCK
LOCK JAMB

NOTE: DETAILS SHOWN WITH VARYING DOOR CORE TYPES. ANY DETAIL IS APPROVED TO BE USED WITH ANY CORE TYPE.



E
6 HORIZONTAL SECTION
CONTINUOUS HINGE JAMB



F
6 HORIZONTAL SECTION
MORTISE LOCK WITH DEADBOLT
LOCK JAMB

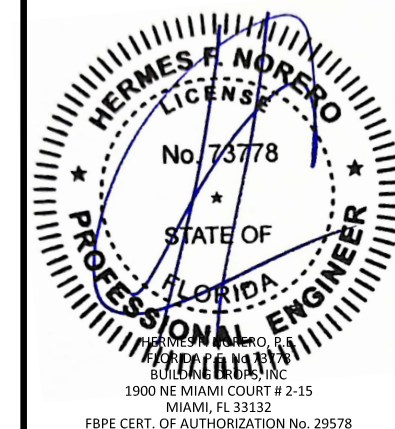
TITLE: INSWING SINGLE FLUSH
STEEL DOOR
(HVHZ) (IMPACT)
HORIZONTAL SECTIONS

PREPARED BY:
BUILDING DROPS, INC.
1900 NE MIAMI COURT, STE. 2-15
MIAMI, FL 33132
PH: (954) 359-8478
FAX: (954) 744-4738
WEB: www.buildingdrops.com



REMARKS	BY	DATE

THE INSTALLATION DETAILS DESCRIBED HEREIN ARE GENERIC AND MAY NOT REFLECT ACTUAL CONDITIONS FOR A SPECIFIC SITE. IF SITE CONDITIONS CAUSE INSTALLATION TO DEVIATE FROM THE REQUIREMENTS DETAILED HEREIN, A LICENSED ENGINEER OR ARCHITECT SHALL PREPARE SITE SPECIFIC DOCUMENTS FOR USE WITH THIS DOCUMENT.



FL46851

DATE: 06.18.24

DWG. BY: DI
CHK. BY: HFN

SCALE: NTS

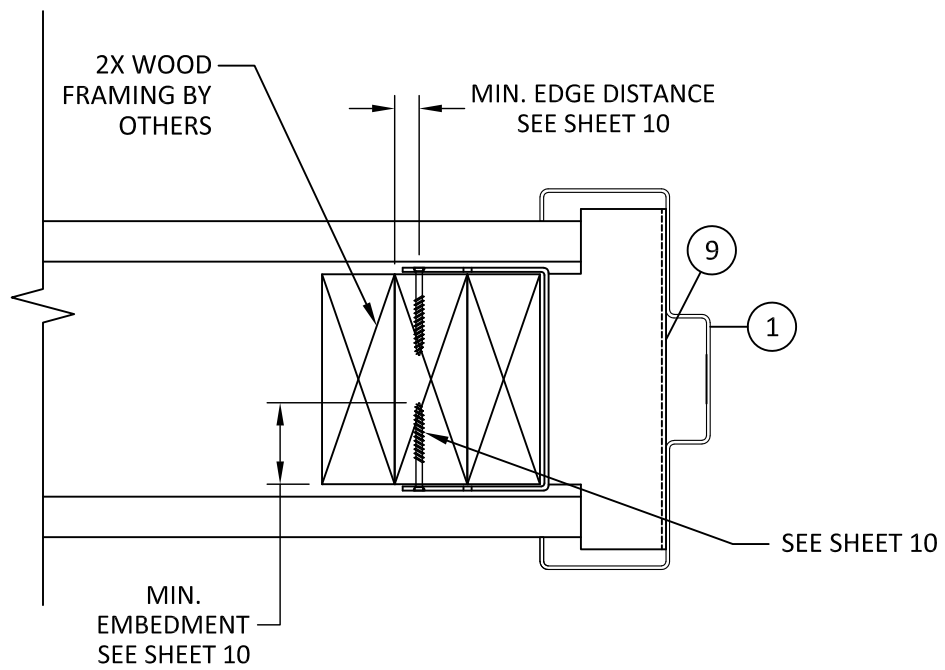
DWG. #: DLF006

SHEET:

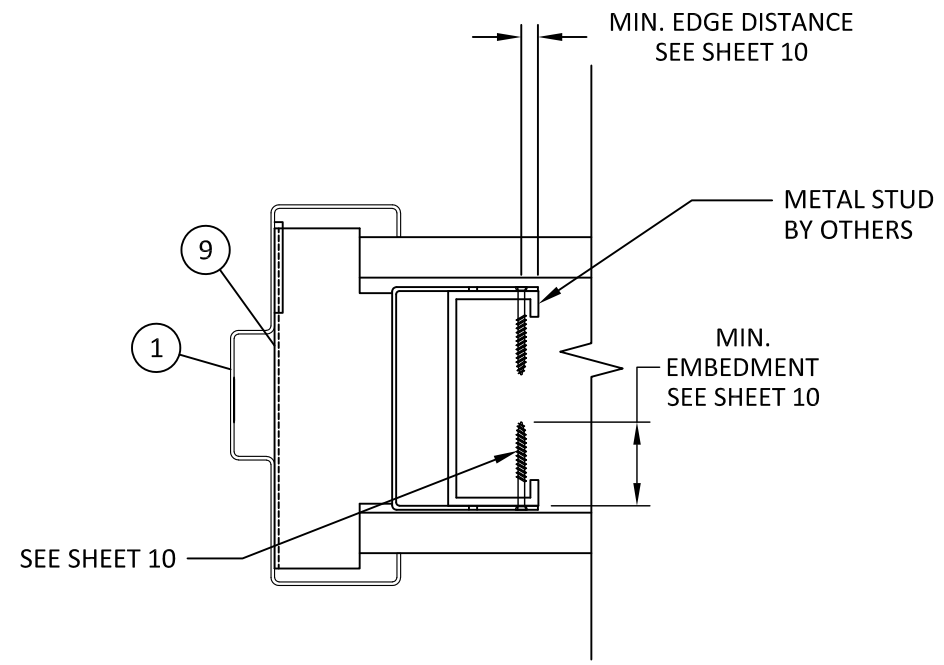
6

OF 16

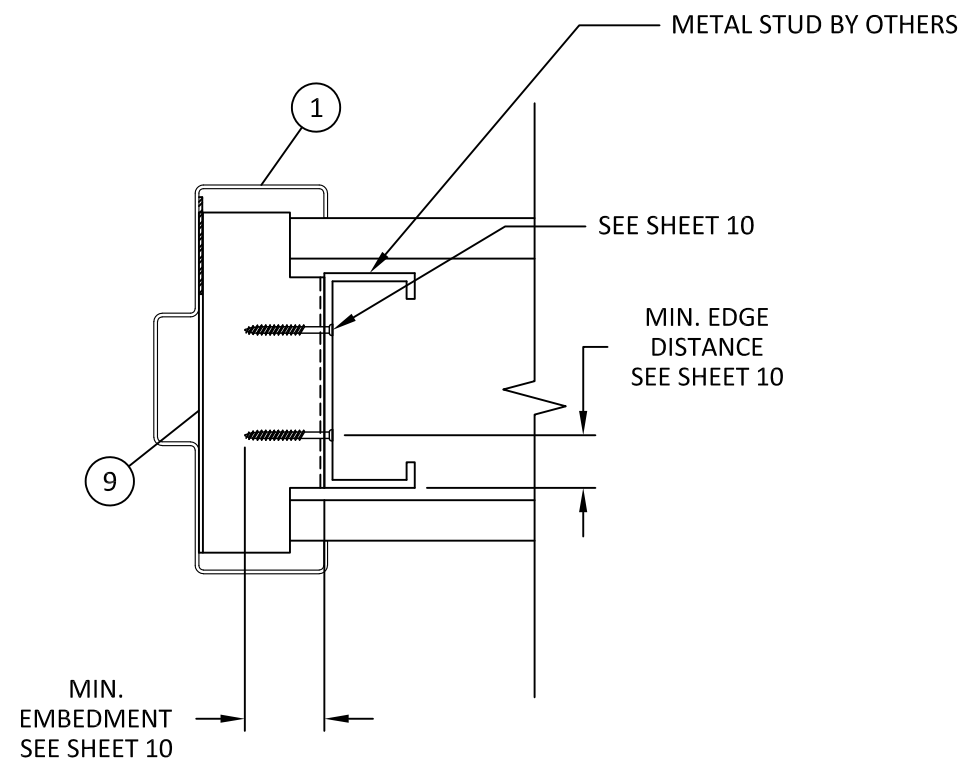
c:\users\dylanwata\building_drops, inc\building_drops landing - common\projects\de la fontaine\fb-22-0614.1 - fbc submittal - hollow metal swing door (s-cs)\dwg\inswing flush.dif006.dwg 6/21/2024 4:06 PM



E
7 **HORIZONTAL SECTION**
COMBINATION ANCHOR
WOOD STUD



F
7 **HORIZONTAL SECTION**
COMBINATION ANCHOR
METAL STUD



G
7 **HORIZONTAL SECTION**
Z ANCHOR
METAL STUD



4115 BRODEUR STREET
SHERBROOKE, QC J1L1K4
PH: (819) 821-9230 FX: (819) 569-5928

TITLE: INSWING SINGLE FLUSH
STEEL DOOR
(HVHZ) (IMPACT)

INSTALLATION DETAILS - COMBINATION
AND Z ANCHORS

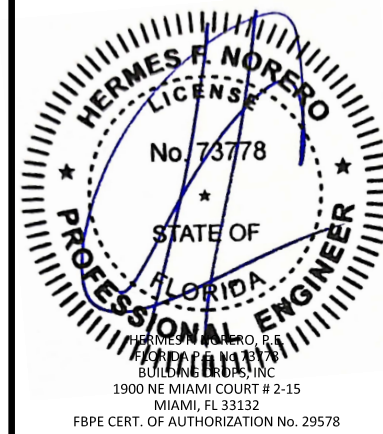
PREPARED BY: BUILDING DROPS, INC.

1900 NE MIAMI COURT, STE. 2-15
MIAMI, FL 33132
PH: (954) 359-8478
FAX: (954) 744-4738
WEB: www.buildingdrops.com



REMARKS	BY	DATE

THE INSTALLATION DETAILS DESCRIBED HEREIN ARE GENERIC AND MAY NOT REFLECT ACTUAL CONDITIONS FOR A SPECIFIC SITE. IF SITE CONDITIONS CAUSE INSTALLATION TO DEVIATE FROM THE REQUIREMENTS DETAILED HEREIN, A LICENSED ENGINEER OR ARCHITECT SHALL PREPARE SITE SPECIFIC DOCUMENTS FOR USE WITH THIS DOCUMENT.



FL46851

DATE: 06.18.24

DWG. BY: DI CHK. BY: HFN

SCALE: NTS

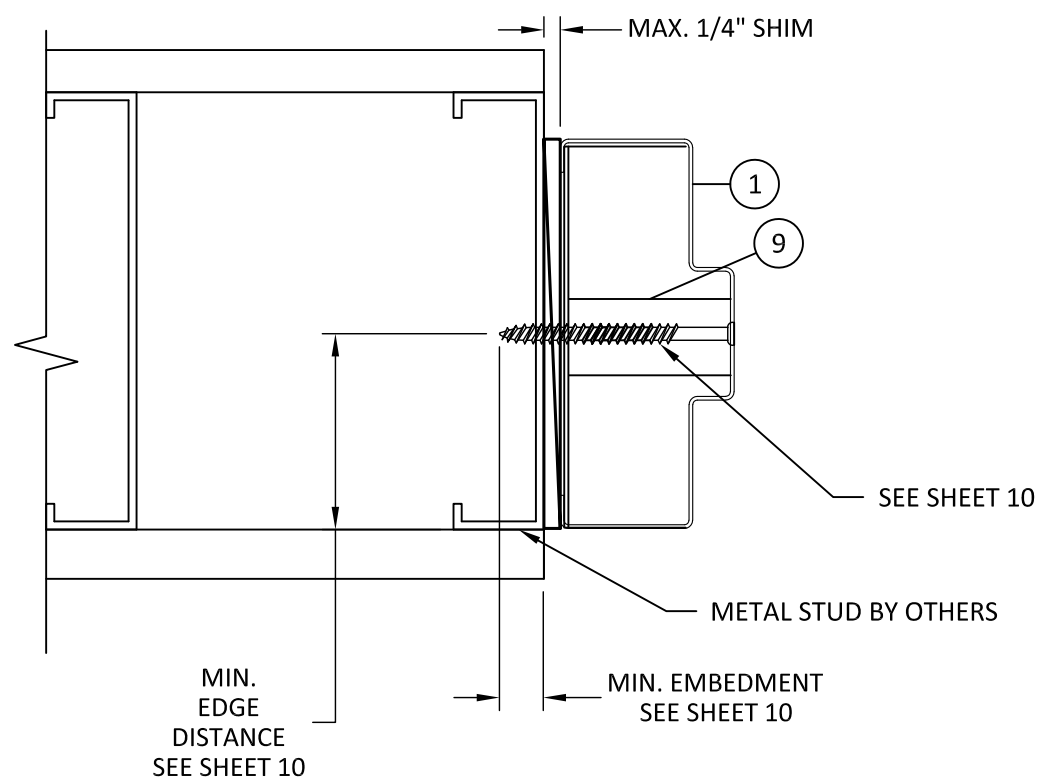
DWG. #: DLF006

SHEET:

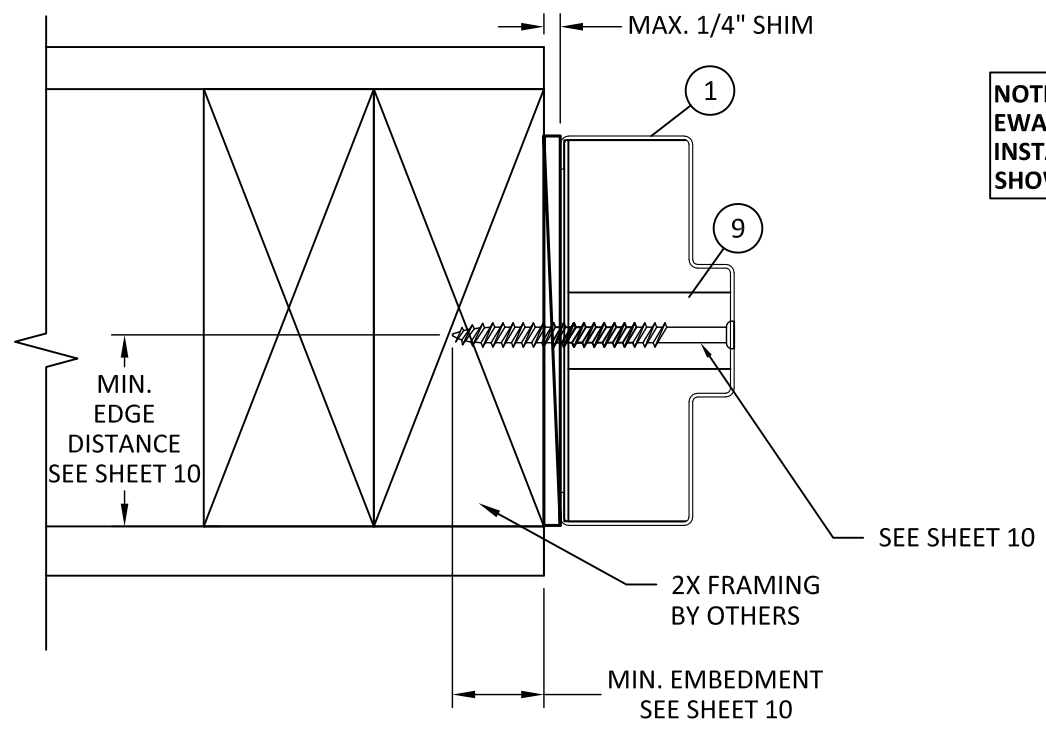
7

OF 16

c:\users\dylanwata\building_drops, inc\building_drops landing - common\projects\de la fontaine\bc-22-0614.1 - fbc submittal - hollow metal swing door (s-cs)\dwg\inswing flush.dwg 6/21/2024 4:06 PM

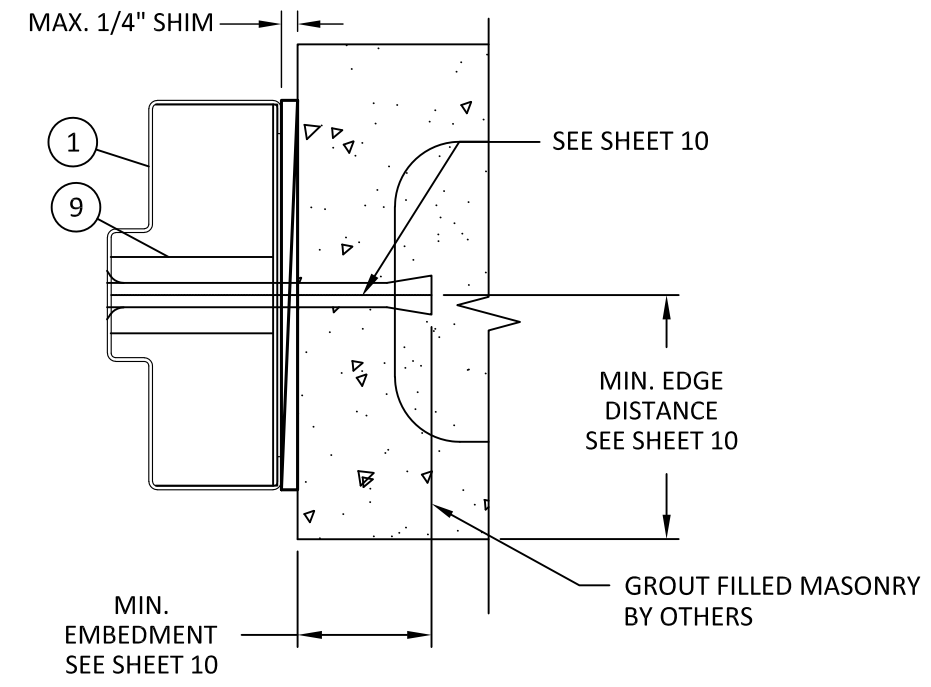


H
8 **HORIZONTAL SECTION**
EWA TUBE ANCHOR
METAL STUD

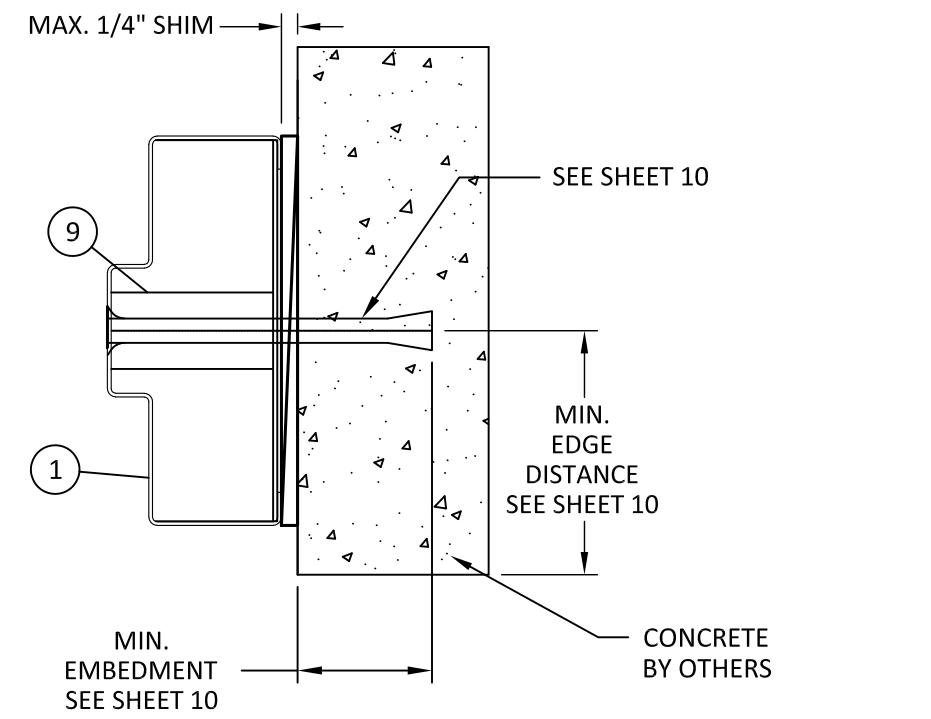


J
8 **HORIZONTAL SECTION**
EWA TUBE ANCHOR
WOOD STUD

NOTE: EWA TUBE SHOWN.
EWA IS QUALIFIED FOR ALL
INSTALLATION SUBSTRATES
SHOWN.



I
8 **HORIZONTAL SECTION**
EWA TUBE ANCHOR
CONCRETE MASONRY UNIT



K
8 **HORIZONTAL SECTION**
EWA TUBE ANCHOR
CONCRETE

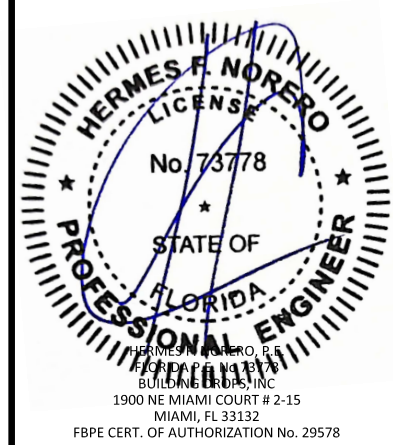


4115 BRODEUR STREET
SHERBROOKE, QC J1L1K4
PH: (819) 821-9230 FX: (819) 569-5928

TITLE: INSWING SINGLE FLUSH
STEEL DOOR
(HVHZ) (IMPACT)
INSTALLATION DETAILS - EWA ANCHORS
PREPARED BY: BUILDING DROPS, INC.
1900 NE MIAMI COURT, STE. 2-15
MIAMI, FL 33132
PH: (954)399-8478
FAX: (954)744-4738
WEB: www.buildingdrops.com

REMARKS	BY	DATE

THE INSTALLATION DETAILS DESCRIBED HEREIN ARE GENERIC AND MAY NOT REFLECT ACTUAL CONDITIONS FOR A SPECIFIC SITE. IF SITE CONDITIONS CAUSE INSTALLATION TO DEVIATE FROM THE REQUIREMENTS DETAILED HEREIN, A LICENSED ENGINEER OR ARCHITECT SHALL PREPARE SITE SPECIFIC DOCUMENTS FOR USE WITH THIS DOCUMENT.



FL46851

DATE: 06.18.24

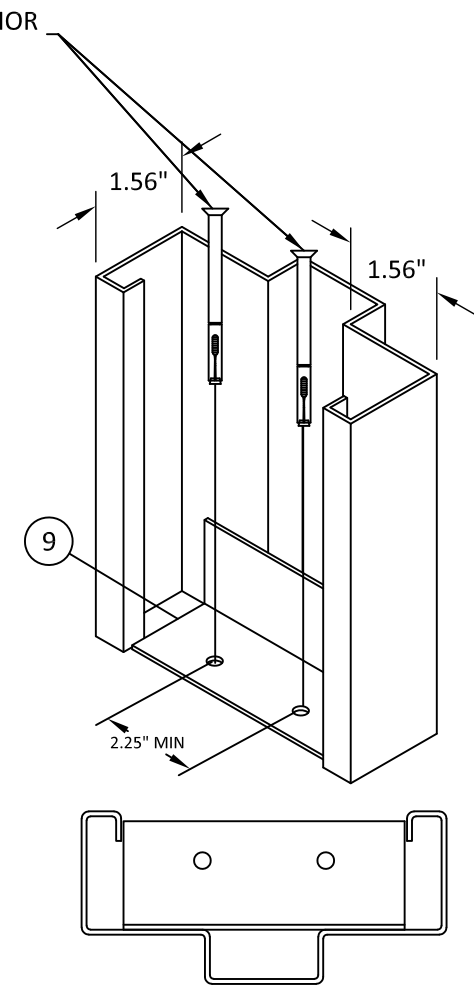
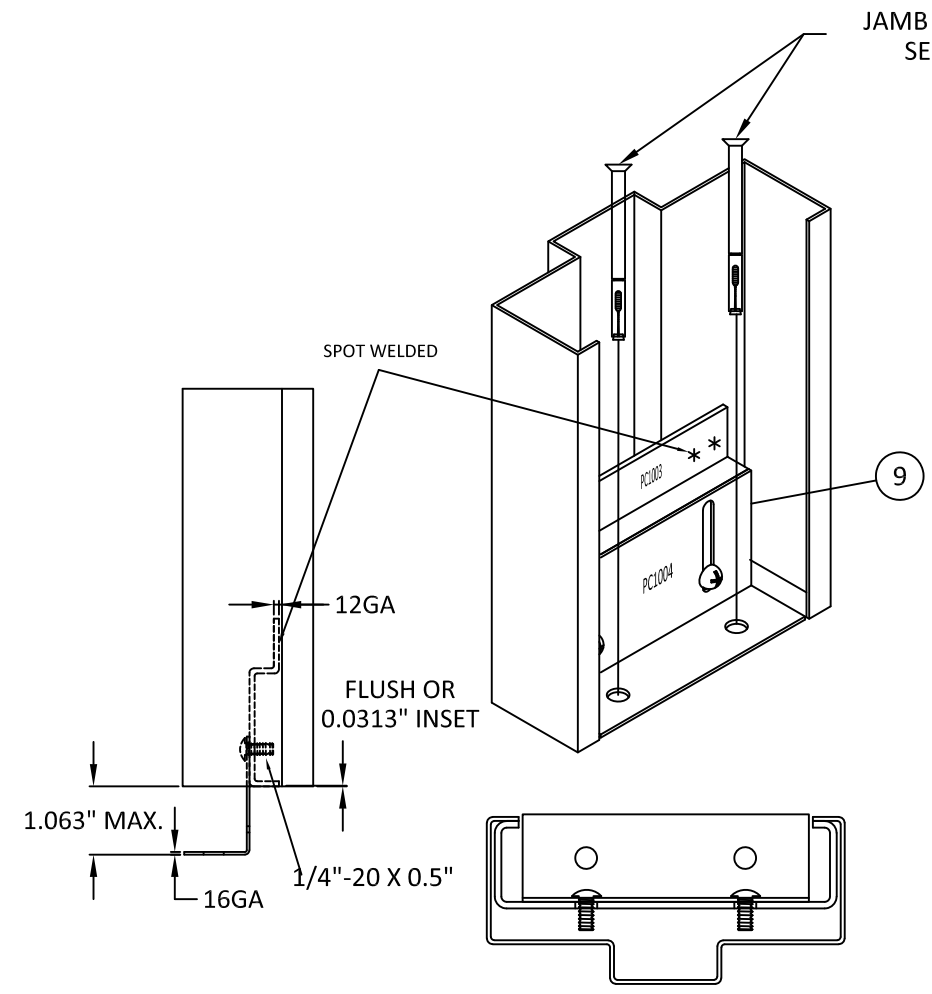
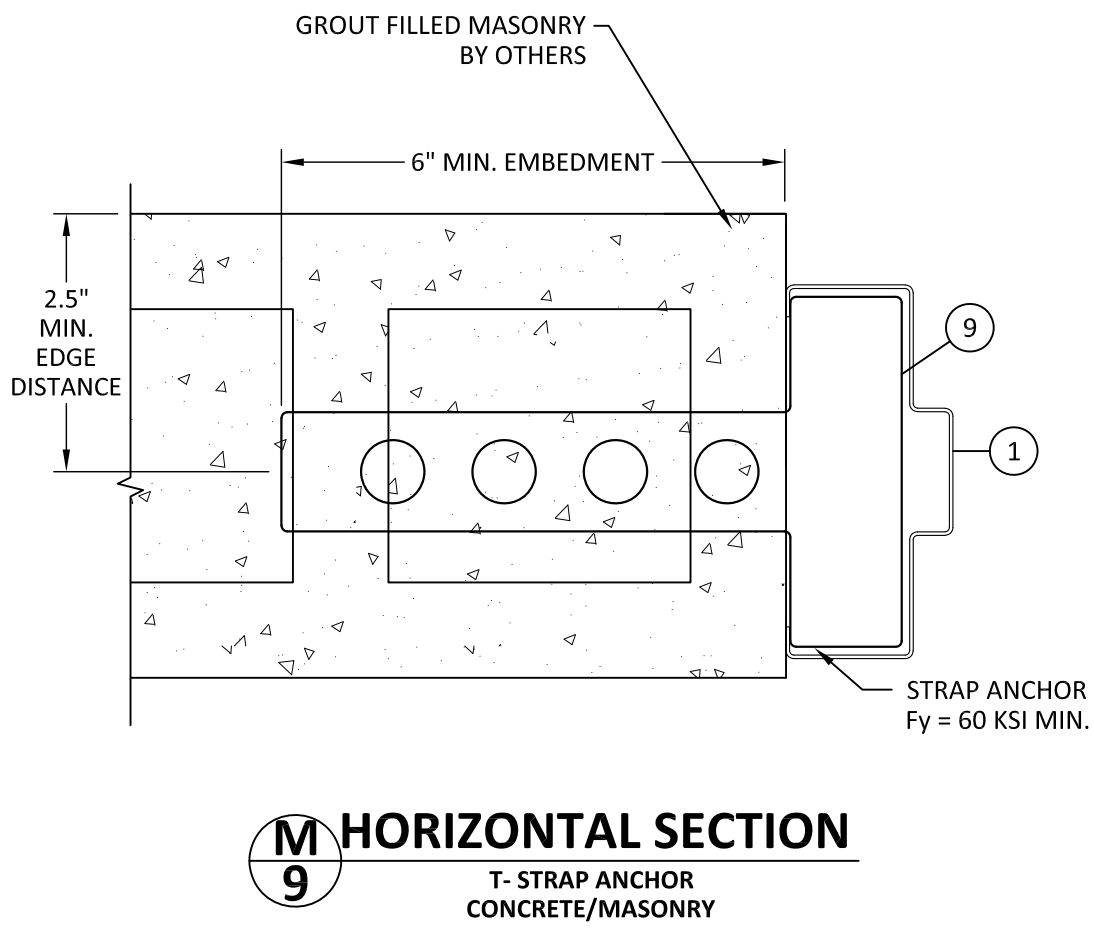
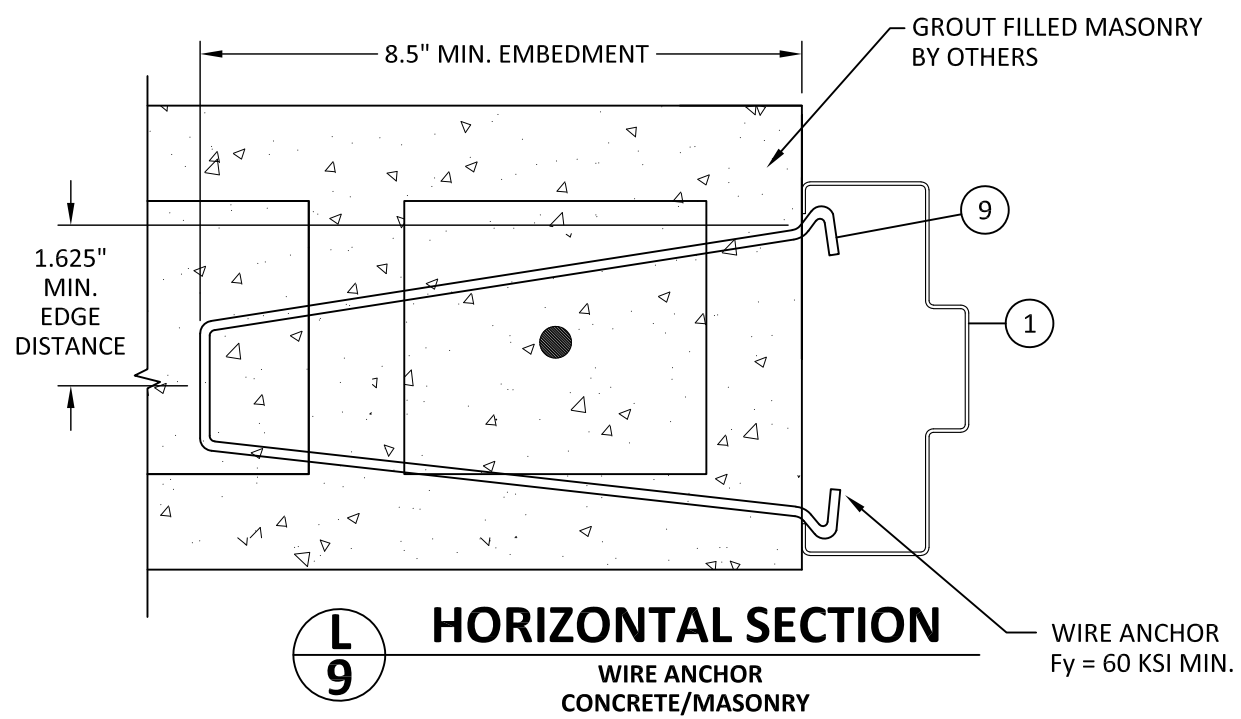
DWG. BY: DI CHK. BY: HFN

SCALE: NTS

DWG. #: DLF006

SHEET: 8

6/21/2024 4:06 PM
 c:\users\dylanwata\building_drops, inc\building_drops, inc\projects\de la fontaine\fbc-22-0614.1 - fbc submittal - hollow metal swing door (inswing flush).dwl\dlf006.dwg



NOTE: WELDED OR ADJUSTABLE BASE ANCHOR TO BE USED WITH T-STRAP, WIRE, COMBINATION & Z ANCHOR ONLY

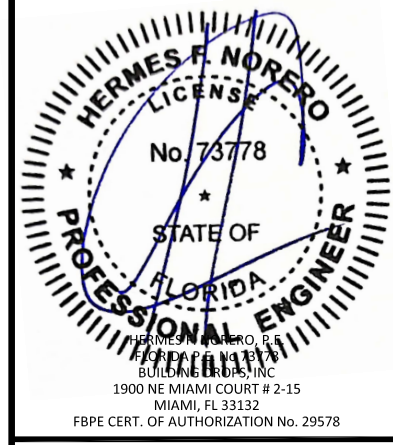
TITLE: INSWING SINGLE FLUSH STEEL DOOR (HVHZ) (IMPACT)

INSTALLATION DETAILS - WIRE/T MASONRY & JAMB BASE ANCHORS

PREPARED BY: BUILDING DROPS, INC.
 1900 NE MIAMI COURT, STE. 2-15
 MIAMI, FL 33132
 PH: (954) 399-8478
 FAX: (954) 744-4738
 WEB: www.buildingdrops.com

REMARKS	BY	DATE

THE INSTALLATION DETAILS DESCRIBED HEREIN ARE GENERIC AND MAY NOT REFLECT ACTUAL CONDITIONS FOR A SPECIFIC SITE. IF SITE CONDITIONS CAUSE INSTALLATION TO DEVIATE FROM THE REQUIREMENTS DETAILED HEREIN, A LICENSED ENGINEER OR ARCHITECT SHALL PREPARE SITE SPECIFIC DOCUMENTS FOR USE WITH THIS DOCUMENT.



FL46851

DATE: 06.18.24

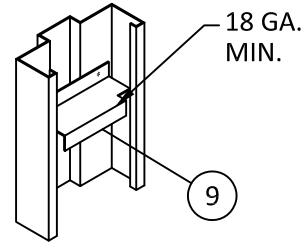
DWG. BY: DI CHK. BY: HFN

SCALE: NTS

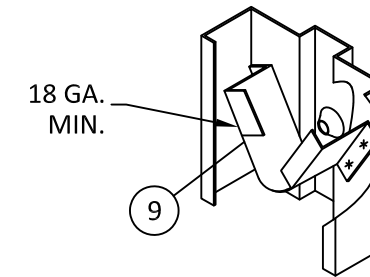
DWG. #: DLF006

INSTALLATION NOTES:

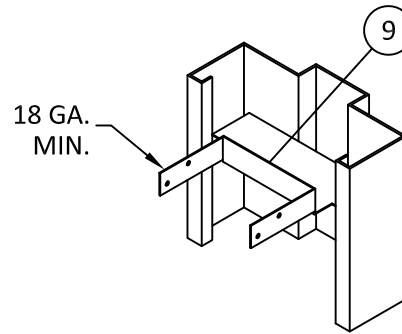
- ONE (1) INSTALLATION ANCHOR IS REQUIRED AT EACH ANCHOR LOCATION SHOWN UNLESS OTHERWISE NOTED.
- THE NUMBER OF INSTALLATION ANCHORS DEPICTED IS THE MINIMUM NUMBER OF ANCHORS TO BE USED FOR PRODUCT INSTALLATION.
- INSTALL INDIVIDUAL INSTALLATION ANCHORS WITHIN A TOLERANCE OF ±1/2 INCH OF THE DEPICTED LOCATION IN THE ANCHOR LAYOUT DETAIL (I.E., WITHOUT CONSIDERATION OF TOLERANCES). TOLERANCES ARE NOT CUMULATIVE FROM ONE INSTALLATION ANCHOR TO THE NEXT.
- SHIM AS REQUIRED AT EACH INSTALLATION ANCHOR WITH LOAD BEARING SHIM(S). MAXIMUM ALLOWABLE SHIM STACK TO BE 1/4 INCH. SHIM WHERE SPACE OF 1/16 INCH OR GREATER OCCURS. SHIM(S) SHALL BE CONSTRUCTED OF HIGH DENSITY PLASTIC OR BETTER.
- MINIMUM EMBEDMENT AND EDGE DISTANCE EXCLUDE WALL FINISHES, INCLUDING BUT NOT LIMITED TO STUCCO, FOAM, BRICK VENEER, AND SIDING.
- INSTALLATION ANCHORS AND ASSOCIATED HARDWARE MUST BE MADE OF CORROSION RESISTANT MATERIAL OR HAVE A CORROSION RESISTANT COATING.
- FOR GROUT FILLED BLOCK, DO NOT INSTALL INSTALLATION ANCHORS INTO MORTAR JOINTS. EDGE DISTANCE IS MEASURED FROM FREE EDGE OF BLOCK OR EDGE OF MORTAR JOINT INTO FACE SHELL OF BLOCK.
- INSTALLATION ANCHORS SHALL BE INSTALLED IN ACCORDANCE WITH ANCHOR MANUFACTURER'S INSTALLATION INSTRUCTIONS, AND ANCHORS SHALL NOT BE USED IN SUBSTRATES WITH STRENGTHS LESS THAN THE MINIMUM STRENGTH SPECIFIED BY THE ANCHOR MANUFACTURER.



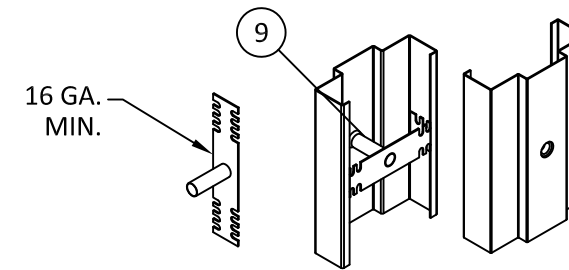
DETAIL CC
Z ANCHOR



DETAIL EE
EXISTING WALL ANCHOR (EWA)



DETAIL DD
COMBINATION WOOD/STEEL STUD ANCHOR



DETAIL FF
EXISTING WALL ANCHOR (EWA) TUBE

EWA TUBE ANCHOR SCHEDULE			
SUBSTRATE	ANCHOR TYPE	MIN. EMBEDMENT	MIN. EDGE DISTANCE
WOOD: MIN. S.G. = 0.55	3/8" LAG SCREW	3"	1"
STEEL: MIN. 18 GA. MIN. Fy = 33 ksi	3/8" GRADE 5 SELF-DRILLING/ SELF-TAPPING SCREW	3 THREADS MIN PENETRATION BEYOND METAL	1/2"
ALUMINUM: MIN. 1/8" THICK MIN. 6063-T5			
CONCRETE: MIN. f'c = 3000 psi	3/8" ITW TAPCON	1-1/2"	2-1/4"
	3/8" ITW DYNABOLT	1-1/2"	2-1/4"
MASONRY: CMU per ASTM C90 MIN. 2000 PSI	3/8" ITW TAPCON	1-1/2"	2-1/4"
	3/8" ITW DYNABOLT	1-1/2"	2-1/4"

Z ANCHOR SCHEDULE			
SUBSTRATE	ANCHOR TYPE	MIN. EMBEDMENT	MIN. EDGE DISTANCE
STEEL: MIN. 18 GA. MIN. Fy = 33 ksi	#10 GRADE 5 SELF-DRILLING/ SELF-TAPPING SCREW	3 THREADS MIN PENETRATION BEYOND METAL	1/2"
ALUMINUM: MIN. 1/8" THICK MIN. 6063-T5			

COMBINATION ANCHOR SCHEDULE			
SUBSTRATE	ANCHOR TYPE	MIN. EMBEDMENT	MIN. EDGE DISTANCE
WOOD: MIN. S.G. = 0.55	#10 WOOD SCREW	1-1/2"	1/2"
STEEL: MIN. 18 GA. MIN. Fy = 33 ksi	#10 GRADE 5 SELF-DRILLING/ SELF-TAPPING SCREW	3 THREADS MIN PENETRATION BEYOND METAL	1/2"
ALUMINUM: MIN. 1/8" THICK MIN. 6063-T5			

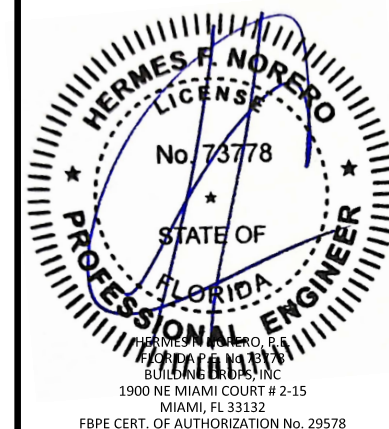
TITLE: INSWING SINGLE FLUSH
STEEL DOOR
(HVHZ) (IMPACT)

INSTALLATION DETAILS & NOTES

PREPARED BY: **BUILDING DROPS, INC.**
1900 NE MIAMI COURT, STE. 2-15
MIAMI, FL 33132
PH: (954) 399-8478
FAX: (954) 744-4738
WEB: www.buildingdrops.com

REMARKS	BY	DATE

THE INSTALLATION DETAILS DESCRIBED HEREIN ARE GENERIC AND MAY NOT REFLECT ACTUAL CONDITIONS FOR A SPECIFIC SITE. IF SITE CONDITIONS CAUSE INSTALLATION TO DEVIATE FROM THE REQUIREMENTS DETAILED HEREIN, A LICENSED ENGINEER OR ARCHITECT SHALL PREPARE SITE SPECIFIC DOCUMENTS FOR USE WITH THIS DOCUMENT.



FL46851

DATE: **06.18.24**

DWG. BY: **DI** CHK. BY: **HFN**

SCALE: **NTS**

DWG. #: **DLF006**

SHEET:

10

OF 16

c:\users\dylanwata\building_drops, inc\building_drops landing - common\projects\de la fontaine\bc-22-0614.1 - fbc submittal - hollow metal swing door (s-cs)\dwg\inswing flush.dwg 6/21/2024 4:06 PM

GASKETING DETAILS FOR AIR INFILTRATION



4115 BRODEUR STREET
SHERBROOKE, QC J1L1K4
PH: (819) 821-9230 FX: (819) 569-5928

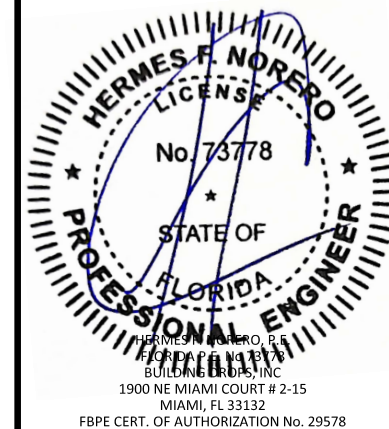
TITLE: INSWING SINGLE FLUSH
STEEL DOOR
(HVHZ) (IMPACT)
GASKETING DETAILS FOR
AIR INFILTRATION

PREPARED BY:
BUILDING DROPS, INC.
1900 NE MIAMI COURT, STE. 2-15
MIAMI, FL 33132
PH: (954) 359-8478
FAX: (954) 744-4738
WEB: www.buildingdrops.com



REMARKS	BY	DATE

THE INSTALLATION DETAILS DESCRIBED HEREIN ARE GENERIC AND MAY NOT REFLECT ACTUAL CONDITIONS FOR A SPECIFIC SITE. IF SITE CONDITIONS CAUSE INSTALLATION TO DEVIATE FROM THE REQUIREMENTS DETAILED HEREIN, A LICENSED ENGINEER OR ARCHITECT SHALL PREPARE SITE SPECIFIC DOCUMENTS FOR USE WITH THIS DOCUMENT.



FL46851

DATE: 06.18.24

DWG. BY: DI CHK. BY: HFN

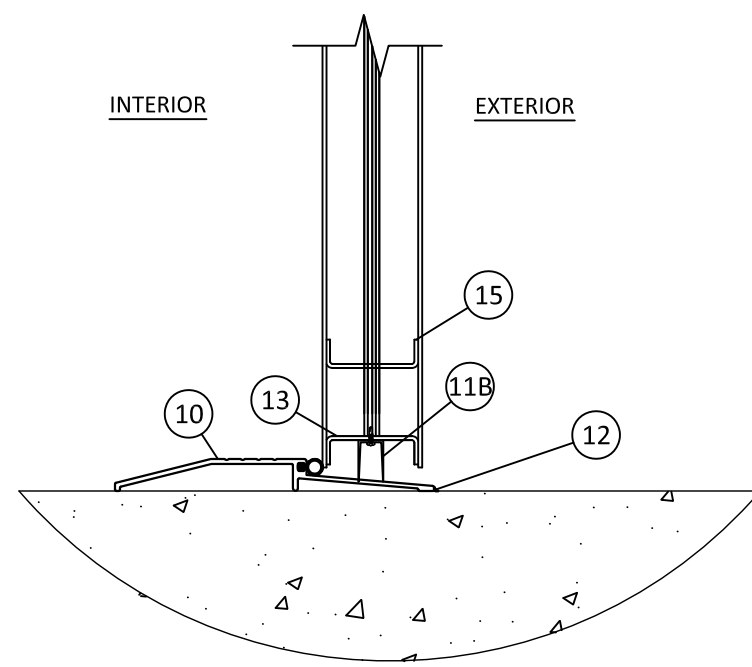
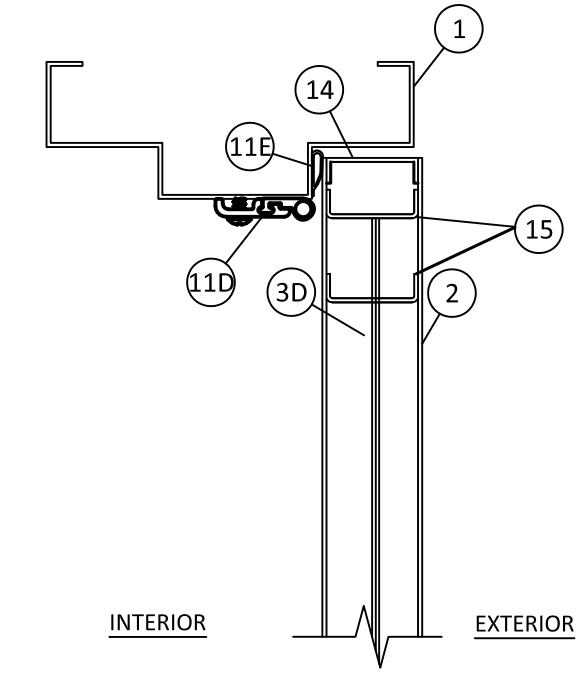
SCALE: NTS

DWG. #: DLF006

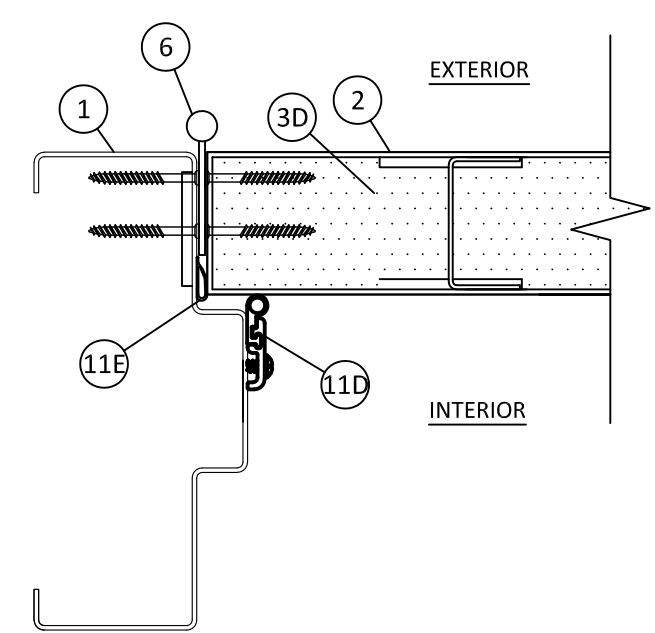
SHEET:

11

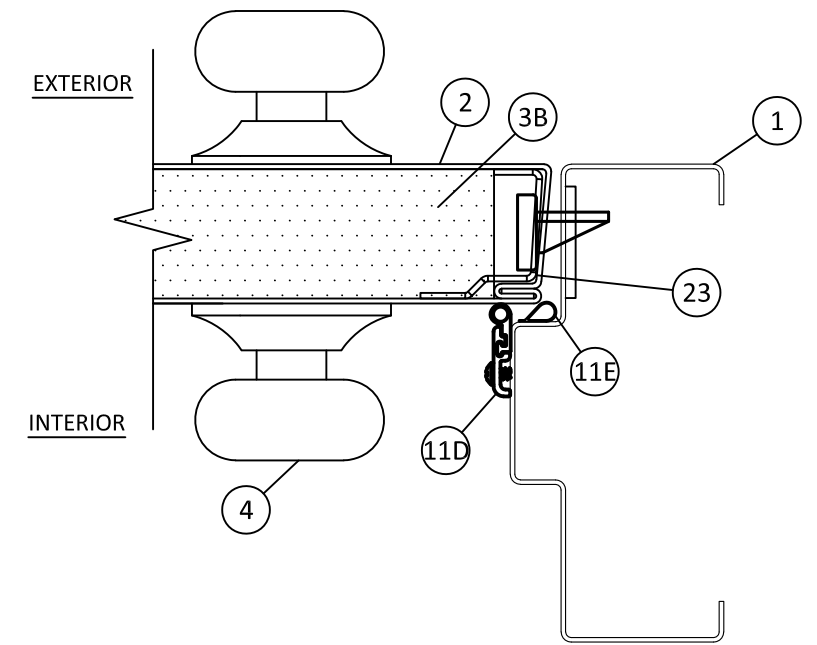
OF 16



O 11 VERTICAL SECTION
AIR INFILTRATION



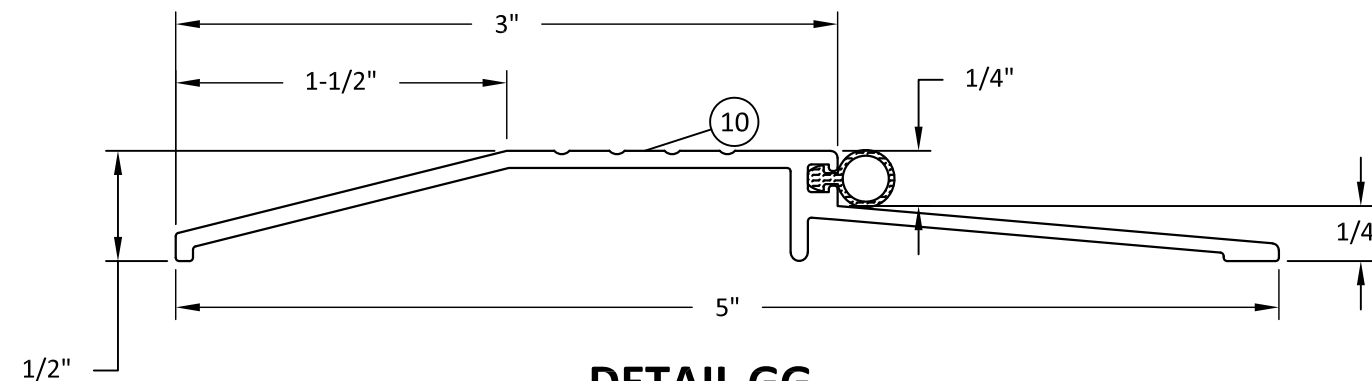
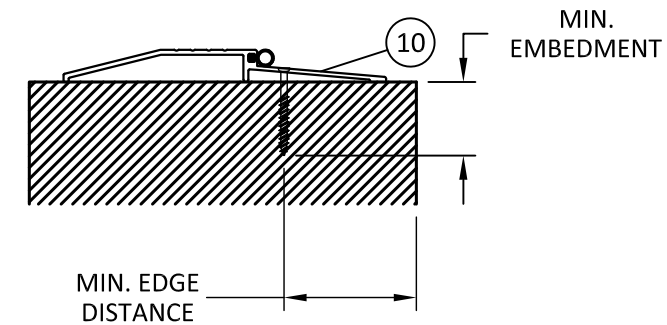
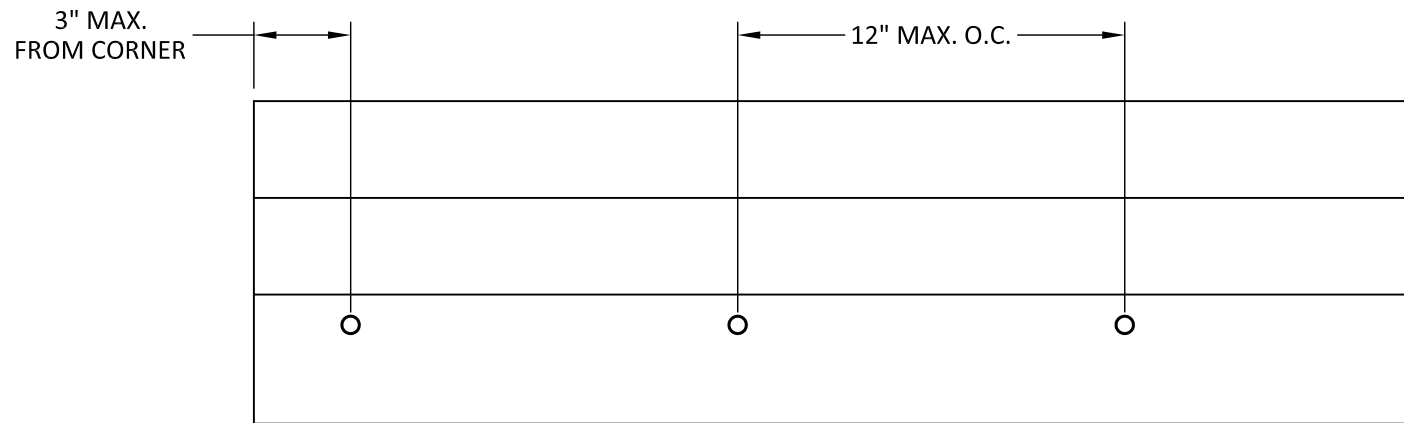
P 11 HORIZONTAL SECTION
AIR INFILTRATION



NOTE:
1. SEAL ALL JOINTS WHERE FRAME MEETS WALL WITH BUTYL RUBBER OR SILICONE CAULK.
2. INSTALL THRESHOLD INTO BEAD OF BUTYL RUBBER OR SILICONE CAULK.

c:\users\dylanwata\building_drops, inc\building drops landing - common\projects\de la fontaine\fbc-22-0614.1 - fbc submittal - hollow metal swing door is-cs\dwg\inswing flush.dif006.dwg 6/21/2024 4:06 PM

THRESHOLD ANCHOR SCHEDULE			
SUBSTRATE	ANCHOR TYPE	MIN. EMBEDMENT	MIN. EDGE DISTANCE
WOOD: MIN. S.G. = 0.55	#14 WOOD SCREW	1-1/2"	3/4"
CONCRETE: MIN. f'c = 3000 psi	1/4" ITW TAPCON	1-1/4"	2-1/2"



DETAIL GG
NGP 950N THRESHOLD

TITLE: INSWING SINGLE FLUSH STEEL DOOR (HVHZ) (IMPACT)
THRESHOLD DETAIL & ANCHOR LAYOUT

PREPARED BY: **BUILDING DROPS, INC.**
1900 NE MIAMI COURT, STE. 2-15
MIAMI, FL 33132
PH: (954)399-8478
FAX: (954)744-4738
WEB: www.buildingdrops.com

REMARKS	BY	DATE

THE INSTALLATION DETAILS DESCRIBED HEREIN ARE GENERIC AND MAY NOT REFLECT ACTUAL CONDITIONS FOR A SPECIFIC SITE. IF SITE CONDITIONS CAUSE INSTALLATION TO DEVIATE FROM THE REQUIREMENTS DETAILED HEREIN, A LICENSED ENGINEER OR ARCHITECT SHALL PREPARE SITE SPECIFIC DOCUMENTS FOR USE WITH THIS DOCUMENT.

HERMES F. NORERO
LICENSE
No. 73778
STATE OF FLORIDA
PROFESSIONAL ENGINEER

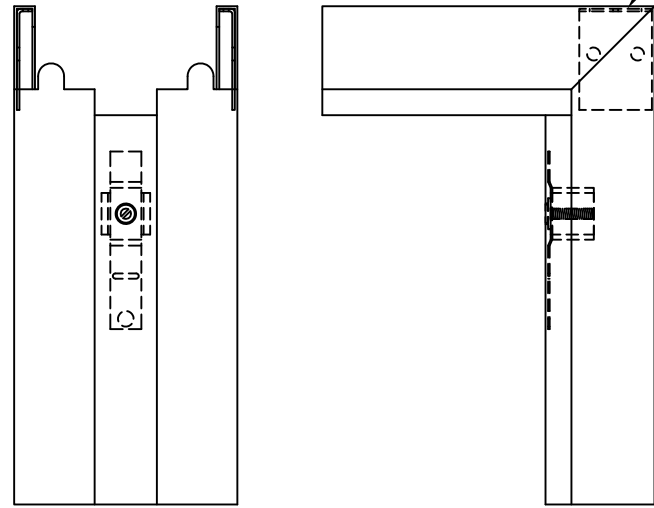
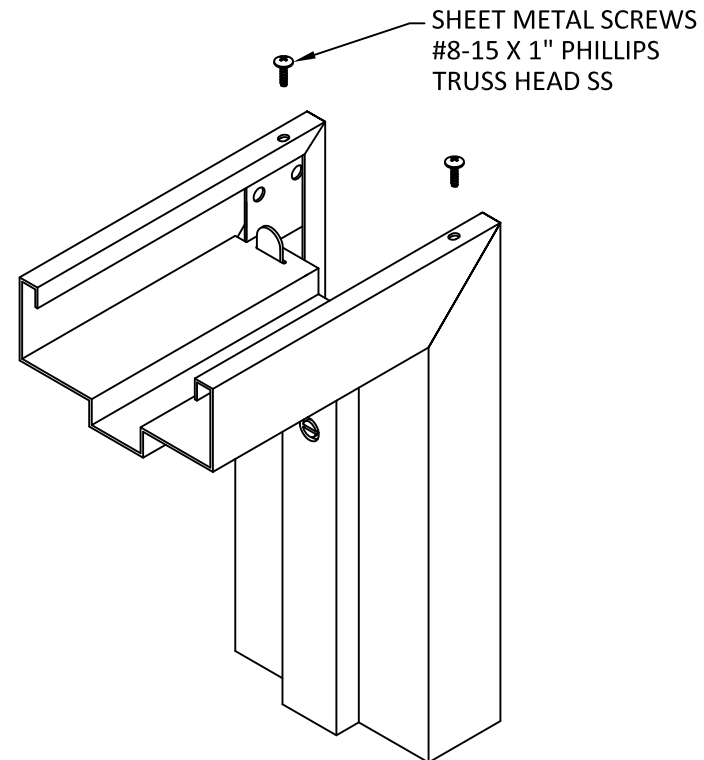
HERMES F. NORERO, P.E.
BUILDING DROPS, INC.
1900 NE MIAMI COURT # 2-15
MIAMI, FL 33132
FBPE CERT. OF AUTHORIZATION No. 29578

FL46851

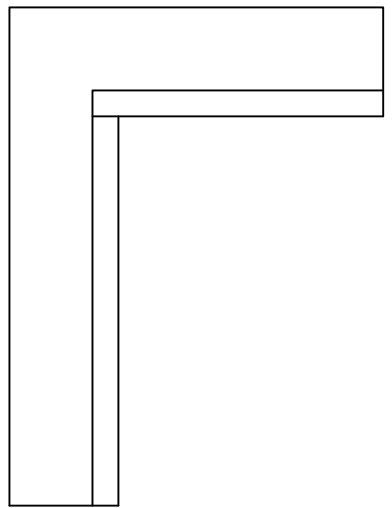
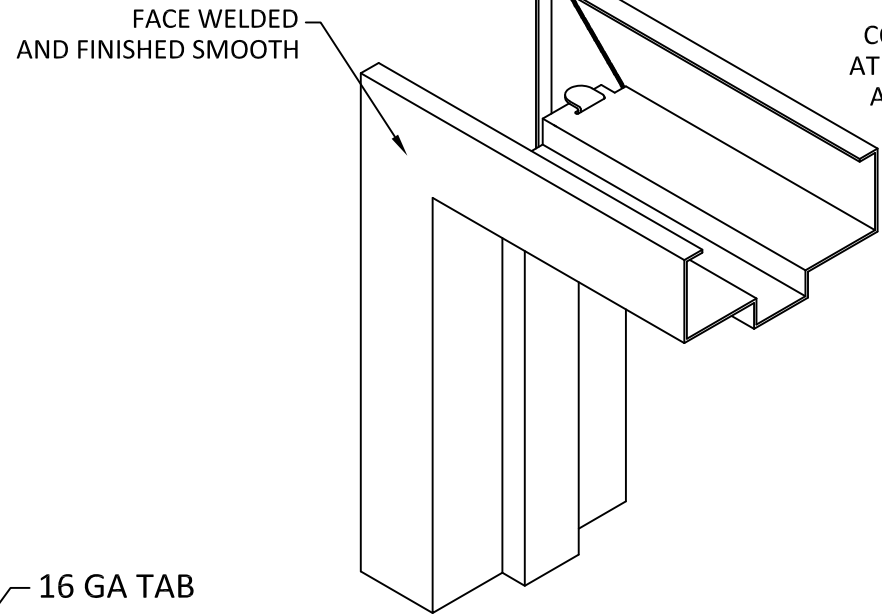
DATE:	06.18.24
DWG. BY:	DI
CHK. BY:	HFN
SCALE:	NTS
DWG. #:	DLF006

SHEET:
12
OF 16

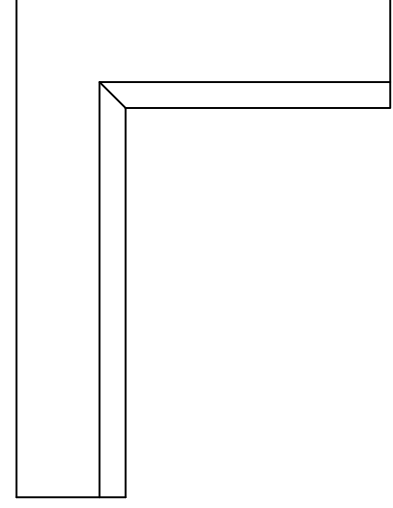
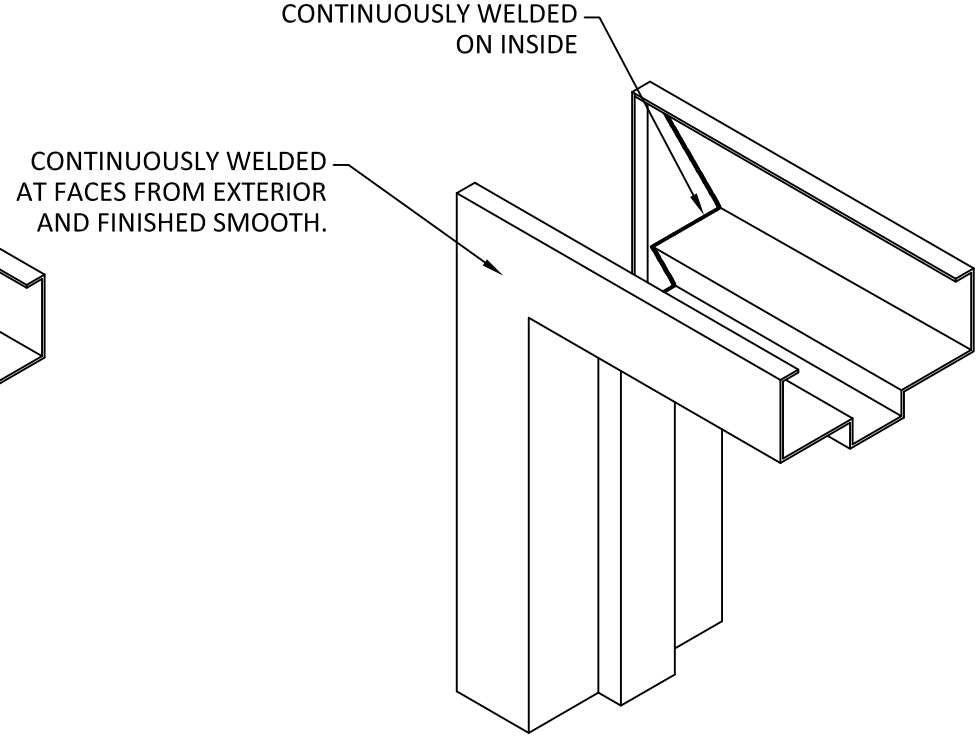
c:\users\dylanwata\building_drops, inc\building_drops landing - common\projects\de la fontaine\fbc-22-0614.1 - fbc submittal - hollow metal swing door is-cs\dwg\inswing flush.dif006.dwg 6/21/2024 4:06 PM



DETAIL HH
KNOCK DOWN CORNER CONSTRUCTION



DETAIL II
FACE WELDED CORNER CONSTRUCTION



DETAIL JJ
FULLY WELDED CORNER CONSTRUCTION

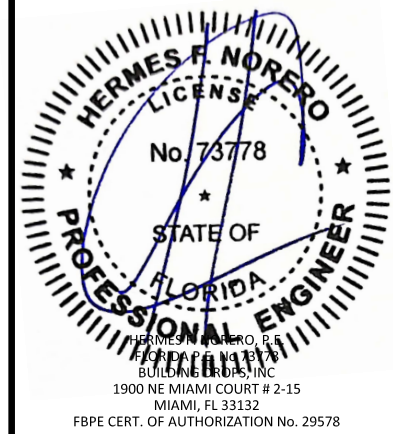
TITLE: INSWING SINGLE FLUSH
STEEL DOOR
(HVHZ) (IMPACT)
CORNER CONSTRUCTION

PREPARED BY:
BUILDING DROPS, INC.
1900 NE MIAMI COURT, STE. 2-15
MIAMI, FL 33132
PH: (954)399-8478
FAX: (954)744-4738
WEB: www.buildingdrops.com



REMARKS	BY	DATE

THE INSTALLATION DETAILS DESCRIBED HEREIN ARE GENERIC AND MAY NOT REFLECT ACTUAL CONDITIONS FOR A SPECIFIC SITE. IF SITE CONDITIONS CAUSE INSTALLATION TO DEVIATE FROM THE REQUIREMENTS DETAILED HEREIN, A LICENSED ENGINEER OR ARCHITECT SHALL PREPARE SITE SPECIFIC DOCUMENTS FOR USE WITH THIS DOCUMENT.



HERMES F. NORERO, P.E.
1900 NE MIAMI COURT # 2-15
MIAMI, FL 33132
FBPE CERT. OF AUTHORIZATION No. 29578

FL46851

DATE: 06.18.24

DWG. BY: DI
CHK. BY: HFN

SCALE: NTS

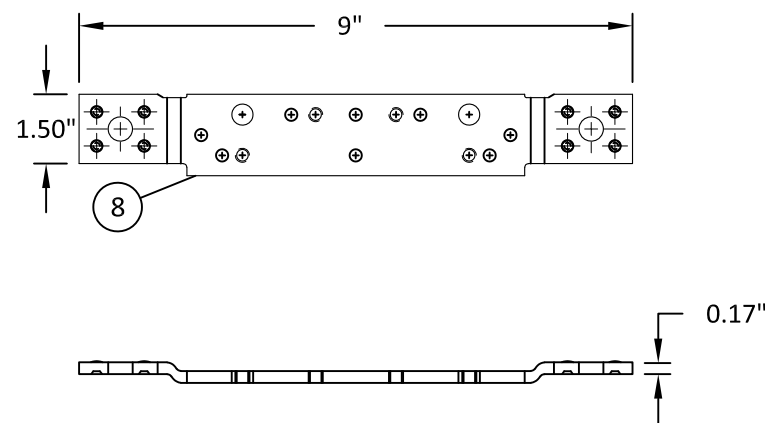
DWG. #: DLF006

SHEET:

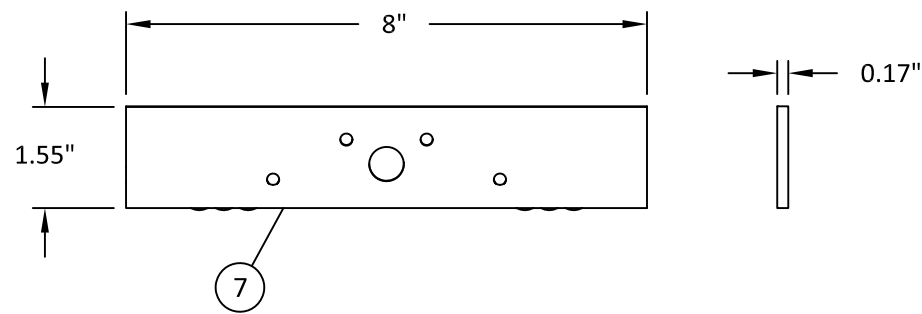
13

OF 16

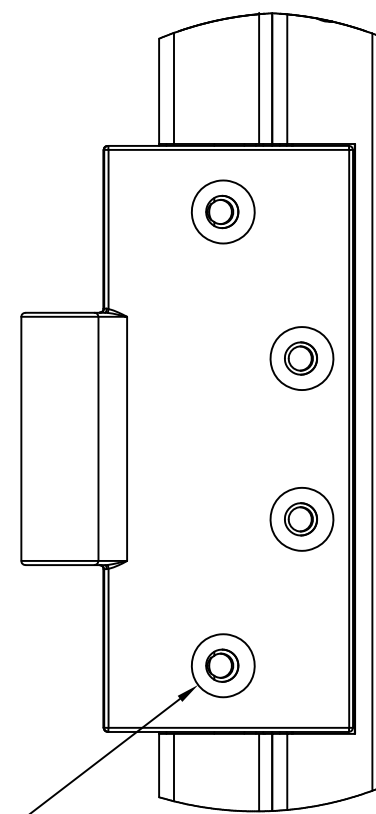
c:\users\dylanwata\building_drops, inc\building_drops landing - common\projects\de la fontaine\fbc-22-0614.1 - fbc submittal - hollow metal swing door (s-cs)\dwg\inswing flush.dif06.dwg 6/21/2024 4:06 PM



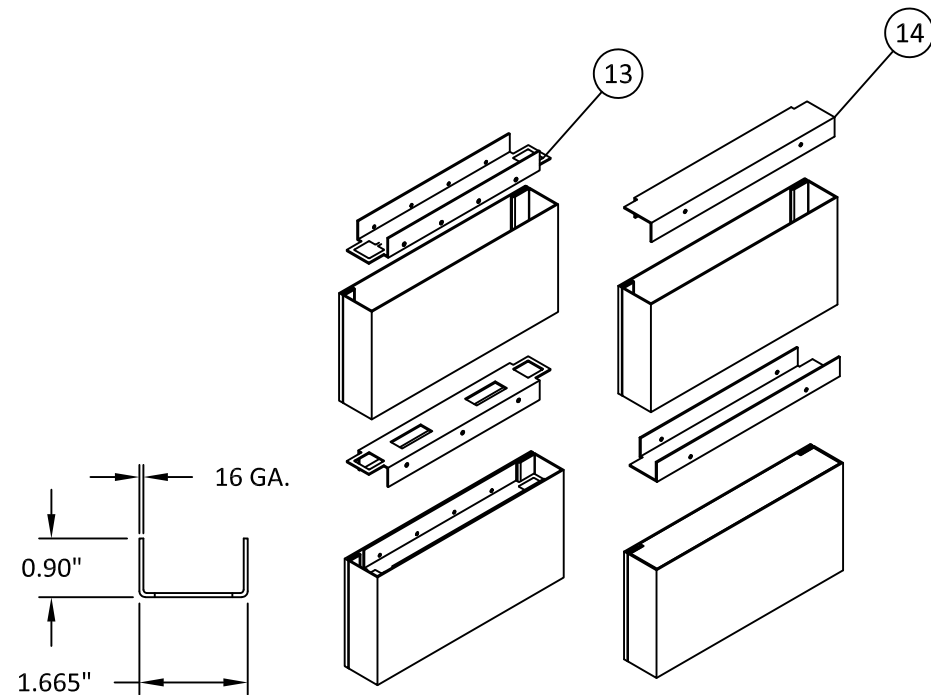
DETAIL KK
FRAME HINGE REINFORCEMENT



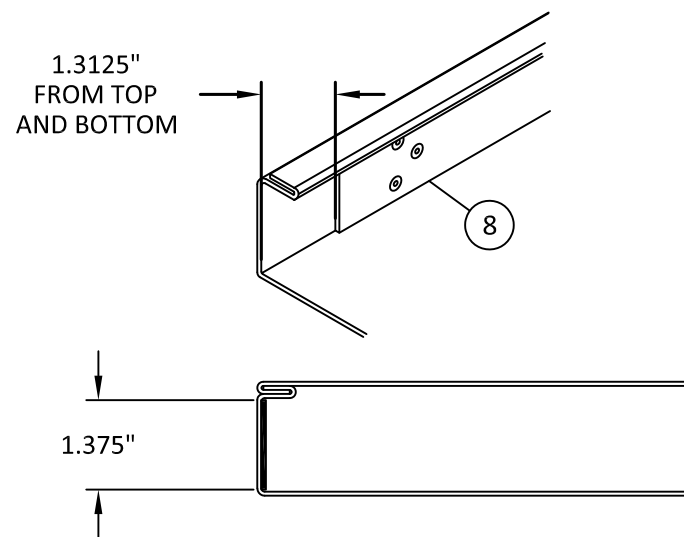
DETAIL LL
DOOR HINGE REINFORCEMENT
AND HINGE DETAIL



ATTACHED WITH FOUR (4) #12 ASSEMBLY SCREWS



DETAIL MM
END CHANNEL REINFORCEMENTS



DETAIL NN
DOOR & FRAME CONTINUOUS HINGE REINFORCEMENT
(OPTIONAL)

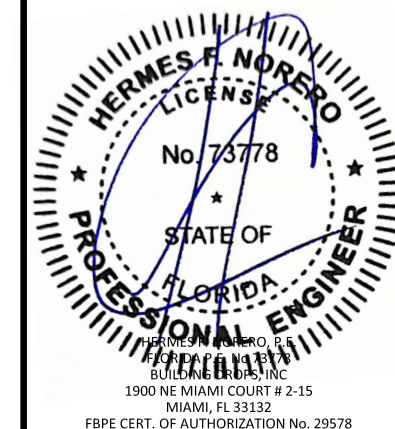
TITLE: INSWING SINGLE FLUSH
STEEL DOOR
(HVHZ) (IMPACT)
REINFORCEMENTS

PREPARED BY: **BUILDING DROPS, INC.**
1900 NE MIAMI COURT, STE. 2-15
MIAMI, FL 33132
PH: (954)399-8478
FAX: (954)744-4738
WEB: www.buildingdrops.com



REMARKS	BY	DATE

THE INSTALLATION DETAILS DESCRIBED HEREIN ARE GENERIC AND MAY NOT REFLECT ACTUAL CONDITIONS FOR A SPECIFIC SITE. IF SITE CONDITIONS CAUSE INSTALLATION TO DEVIATE FROM THE REQUIREMENTS DETAILED HEREIN, A LICENSED ENGINEER OR ARCHITECT SHALL PREPARE SITE SPECIFIC DOCUMENTS FOR USE WITH THIS DOCUMENT.



FL46851

DATE: 06.18.24

DWG. BY: DI CHK. BY: HFN

SCALE: NTS

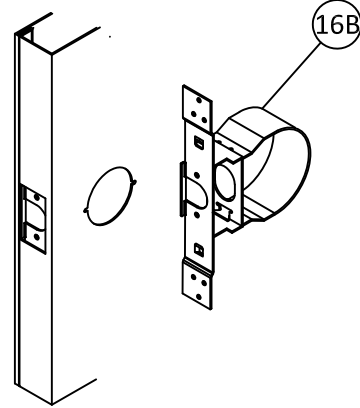
DWG. #: DLF006

SHEET:

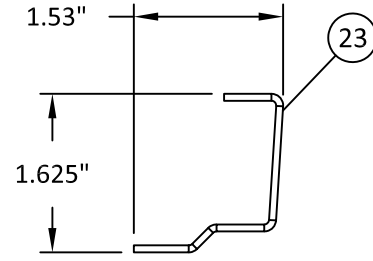
14

OF 16

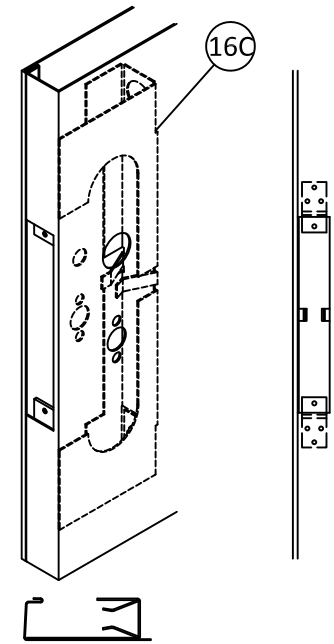
c:\users\dylanwata\building_drops, inc\building drops landing - common\projects\de la fontaine\fbc-22-0614.1 - fbc submittal - hollow metal swing door ls-cs\dwg\inswing flush.dif006.dwg 6/21/2024 4:06 PM



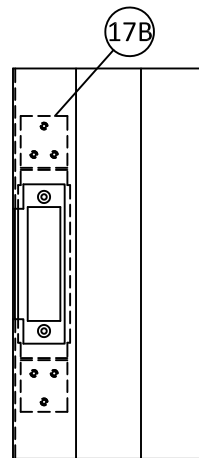
DETAIL OO
CYLINDRICAL LOCK REINFORCEMENT



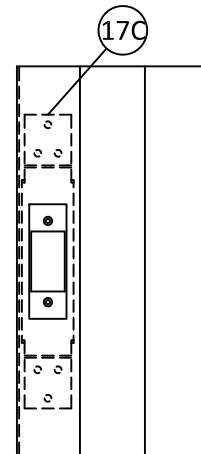
DETAIL PP
LOCK STILE REINFORCEMENT



DETAIL QQ
MORTISE LOCK REINFORCEMENT



DETAIL RR
CYLINDRICAL LOCK
STRIKE REINFORCEMENT



DETAIL SS
MORTISE LOCK
STRIKE REINFORCEMENT



4115 BRODEUR STREET
SHERBROOKE, QC J1L1K4
PH: (819) 821-9230 FX: (819) 569-5928

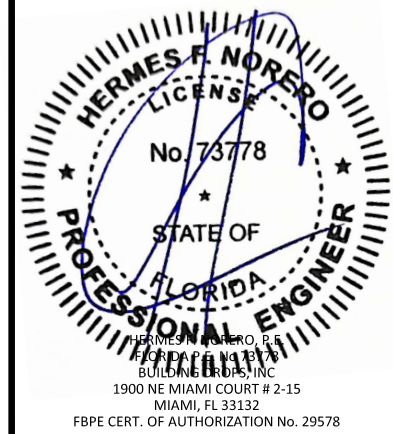
TITLE: INSWING SINGLE FLUSH
STEEL DOOR
(HVHZ) (IMPACT)
REINFORCEMENTS

PREPARED BY:
BUILDING DROPS, INC.
1900 NE MIAMI COURT, STE. 2-15
MIAMI, FL 33132
PH: (954)399-8478
FAX: (954)744-4738
WEB: www.buildingdrops.com



REMARKS	BY	DATE

THE INSTALLATION DETAILS DESCRIBED HEREIN ARE GENERIC AND MAY NOT REFLECT ACTUAL CONDITIONS FOR A SPECIFIC SITE. IF SITE CONDITIONS CAUSE INSTALLATION TO DEVIATE FROM THE REQUIREMENTS DETAILED HEREIN, A LICENSED ENGINEER OR ARCHITECT SHALL PREPARE SITE SPECIFIC DOCUMENTS FOR USE WITH THIS DOCUMENT.



FL46851

DATE: 06.18.24
DWG. BY: DI CHK. BY: HFN
SCALE: NTS
DWG. #: DLF006

SHEET:
15
OF 16

c:\users\dylanwata\building_drops, inc\building drops landing - common\projects\de la fontaine\bc-22-0614.1 - fbc submittal - hollow metal swing door fbc submittal - hollow metal swing door fbc submittal.dwg



4115 BRODEUR STREET
SHERBROOKE, QC J1L1K4
PH: (819) 821-9230 FX: (819) 569-5928

TITLE: INSWING SINGLE FLUSH
STEEL DOOR
(HVHZ) (IMPACT)
BILL OF MATERIAL

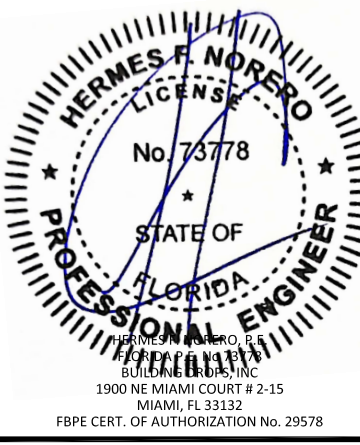
PREPARED BY:
BUILDING DROPS, INC.
1900 NE MIAMI COURT, STE. 2-15
MIAMI, FL 33132
PH: (954) 359-8478
FAX: (954) 744-4738
WEB: www.buildingdrops.com



BILL OF MATERIAL		
NO.	DESCRIPTION	MATERIAL
1	FRAME - 5-3/4" MIN. DEPTH	16 GA. MIN. A40/A60/G90 GALV. STEEL
1A	OPTIONAL 4" HEADER FRAME - 5-3/4" MIN. DEPTH	16 GA. MIN. A40/A60/G90 GALV. STEEL
2	DOOR LEAF PANEL SKIN	18 GA. MIN. A40/A60/G90 GALV. STEEL SHEETS
3	CORE MATERIAL:	
	A) HONEYCOMB	
	B) POLYSTYRENE	
	C) POLYURETHANE	
	D) STEEL STIFFENED (POLYSTYRENE OR POLYURETHANE)	
4	LOCKING HARDWARE - SEE SHEET 1	
6	4.5" MIN. BUTT HINGES SEE SHEET 1 NOTE 1.6	0.134" MIN. STEEL/BRASS
	OPTIONAL CONTINUOUS HINGE SEE SHEET 1 NOTE 1.6	ALUMINUM
7	DOOR HINGE REINFORCEMENTS	7 GA. STEEL
8	FRAME HINGE REINFORCEMENT	3/16" X 10" - 7 GA. STEEL
9	JAMB ANCHORS SEE SHEET 10 & 11	
	Z	18 GA. MIN. STEEL
	COMBINATION WOOD/STEEL STUD	
	EXISTING WALL ANCHOR (EWA)	16 GA. MIN. STEEL
	EXISTING WALL ANCHOR (EWA) - TUBE	
	MASONRY WIRE	-
	MASONRY T	-
ADJUSTABLE/WELDED JAMB BASE	12 GA. STEEL	
10	NGP 950N THRESHOLD WITH BUMPER GASKET	1/16" MIN. ALUMINUM
11	WEATHERSTRIPPING	
	B) NGP 331 DOOR SHOE	6063-T5 ALUMINUM / PPE / TPV
	D) NGP 137NA PERIMETER SEAL	
	E) NGP 5050 BULB SEAL	SILOXANE
12	CAULK	SILICONE OR BUTYL RUBBER
13	ST END CHANNEL	16 GA. STEEL
14	FWC END CHANNEL	16 GA. STEEL
15	HORIZONTAL REIN. CHANNELS	STEEL
16	DOOR LOCK REINFORCEMENT SEE SHEET 17	
	B) CYLINDRICAL LOCK REINFORCEMENT	16 GA. MIN. STEEL
	C) MORTISE LOCK REINFORCEMENT	16 GA. MIN. STEEL
17	FRAME LOCK STRIKE REINFORCEMENT SEE SHEET 17	
	B) CYLINDRICAL STRIKE REINFORCEMENT	16 GA. MIN. STEEL
	C) MORTISE STRIKE REINFORCEMENT	16 GA. MIN. STEEL
23	LOCK STILE REINFORCEMENT	STEEL
24	IVES 698/U698 DOOR VIEWER	BRASS

REMARKS	BY	DATE

THE INSTALLATION DETAILS DESCRIBED HEREIN ARE GENERIC AND MAY NOT REFLECT ACTUAL CONDITIONS FOR A SPECIFIC SITE. IF SITE CONDITIONS CAUSE INSTALLATION TO DEVIATE FROM THE REQUIREMENTS DETAILED HEREIN, A LICENSED ENGINEER OR ARCHITECT SHALL PREPARE SITE SPECIFIC DOCUMENTS FOR USE WITH THIS DOCUMENT.



FL46851

DATE: **06.18.24**
 DWG. BY: **DI** CHK. BY: **HFN**
 SCALE: **NTS**
 DWG. #: **DLF006**
 SHEET:

16
OF 16